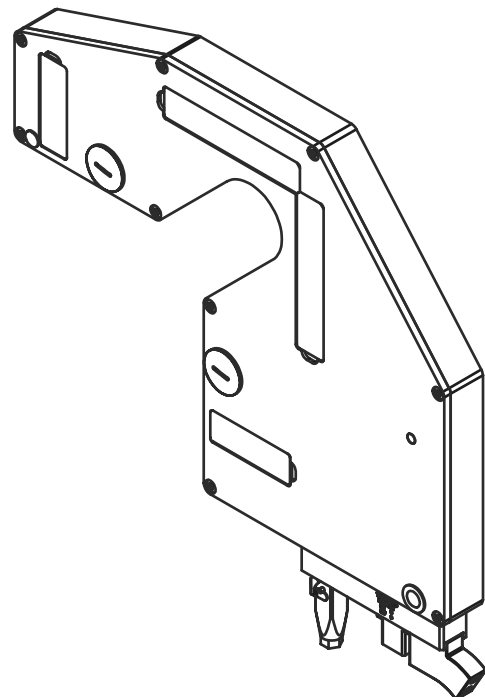
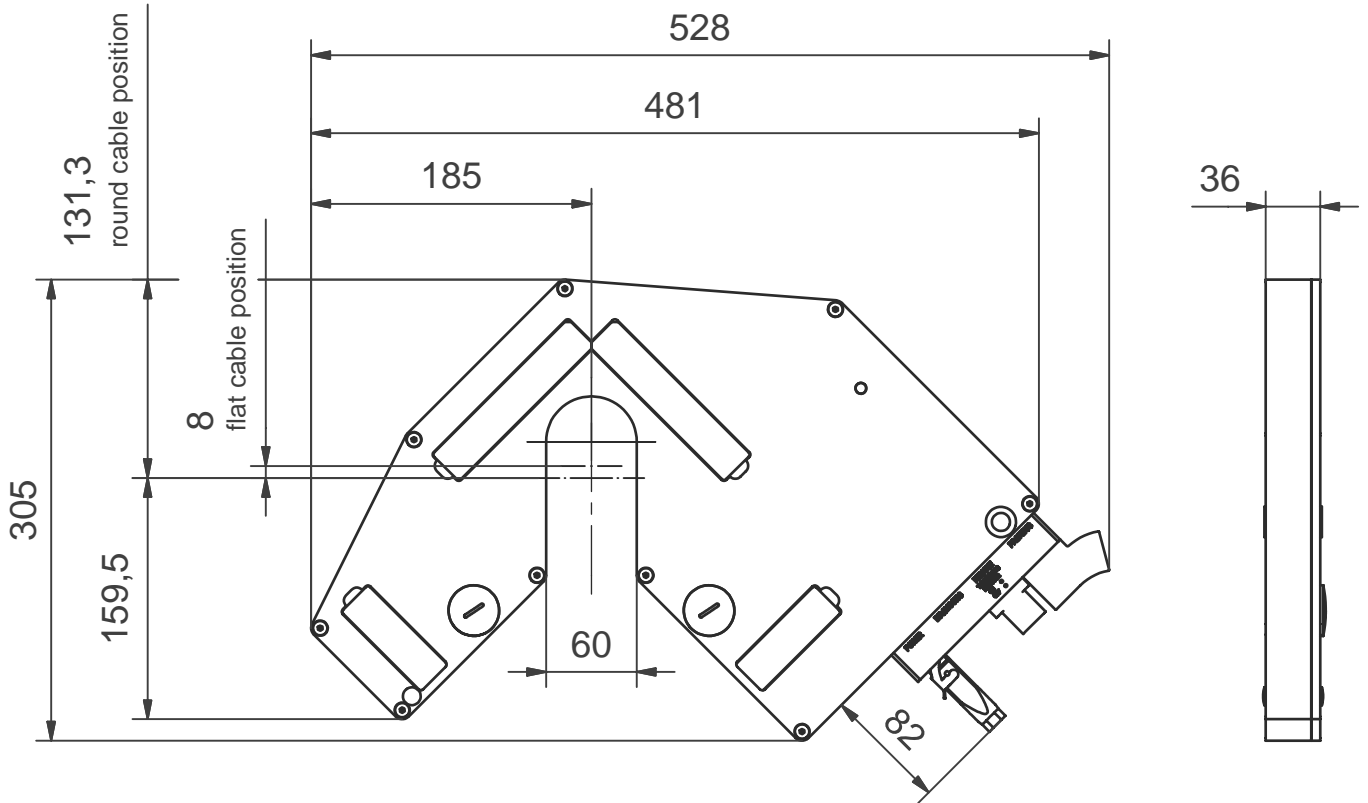
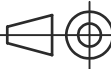


Copying of this document and giving it to others and the use or communication of the contents thereof, are forbidden without express authority. Offenders are liable to the payment of damages. All rights are reserved in the event of the grant of a patent or the registration of a utility model or design.



Identnummer / Part no.		Allgemeintoleranzen General tolerances			Maßstab / Scale 1:5		
		DIN7168-m			Material		
						Beschichtung Coating	
			Date	Name	Benennung / Title Verkaufszeichnung LASER 2030 / 2050XY FR		
			Drawn	15.12.2004			K.Dröge
			Checked				
			Approved				
				SIKORA AG Bruchweide 2 D28307 Bremen		Zeichnungsnummer / Dwg no. EU01000	
Rev	Modification	Date	Name	File EU010000 Laser 2030XY FR-2050XY FR.idw		Blatt / Sheet 1 / 1 Original size DIN A4	