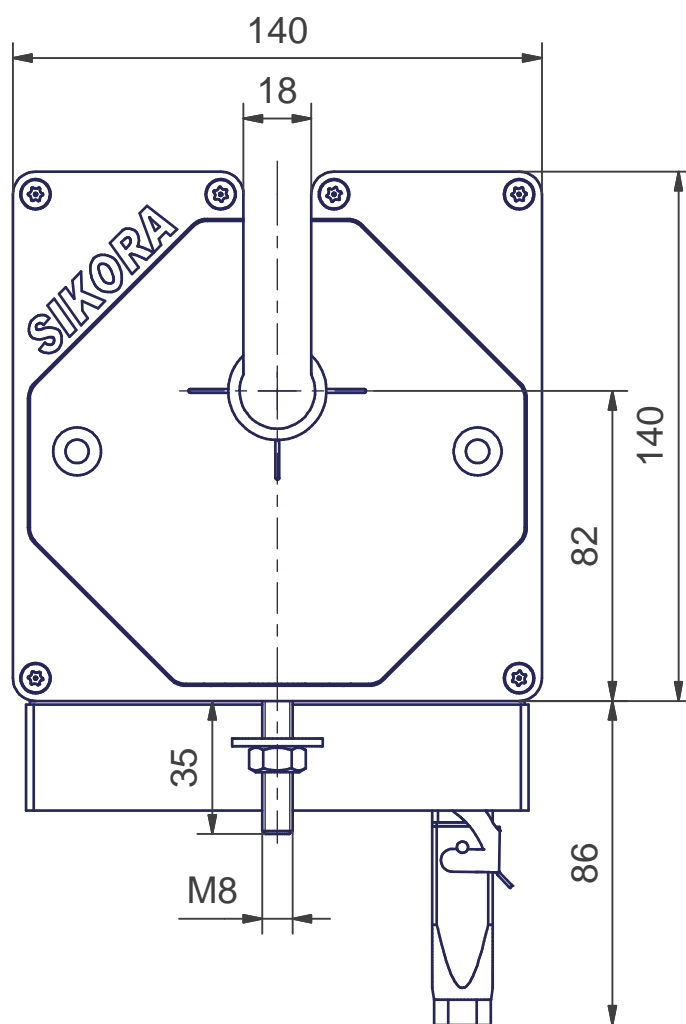
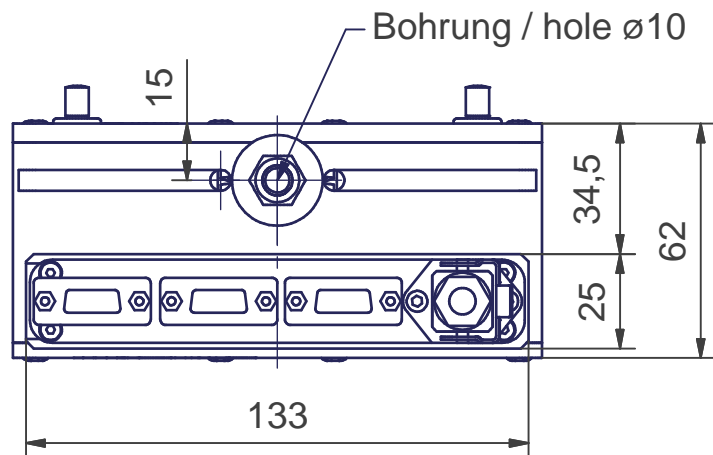
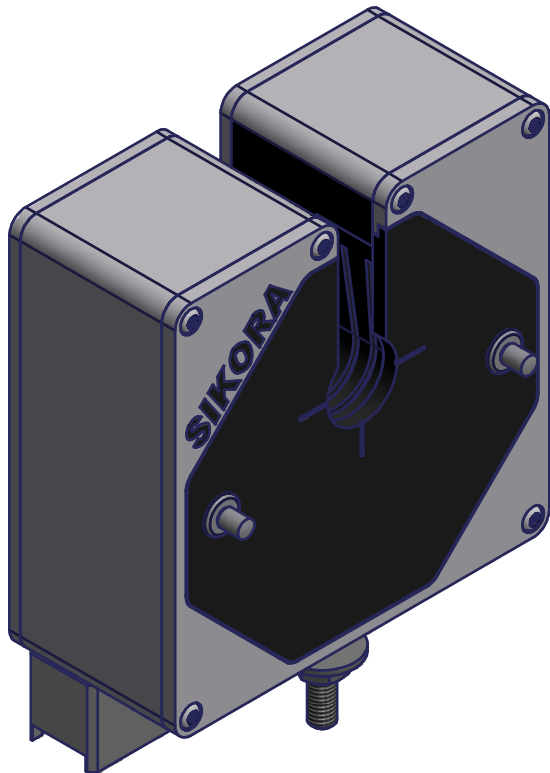



Copying of this document and giving it to others and the use or communication of the contents thereof, are forbidden without express authority. Offenders are liable to the payment of damages. All rights are reserved in the event of the grant of a patent or the registration of a utility model or design.



Identnummer / Part no.		Allgemeintoleranzen General tolerances			Maßstab / Scale 1:2	Beschichtung Coating	
		ISO 2768-m			Material		
		Date	Name	Benennung / Title			
		Drawn	20.11.2012	K.Dröge	<p style="text-align: center;"><b>LUMP 2010 XY</b> Verkauf / sale</p>		
		Checked					
		Approved					
		<p style="text-align: center;"><b>SIKORA AG</b> Bruchweide 2 D28307 Bremen</p>			Zeichnungsnummer / Dwg no.		Blatt / Sheet
					AL0200M0998 Lump 2010 XY.idw		AL0200M0998
Rev	Modification	Date	Name				Original size DIN A4