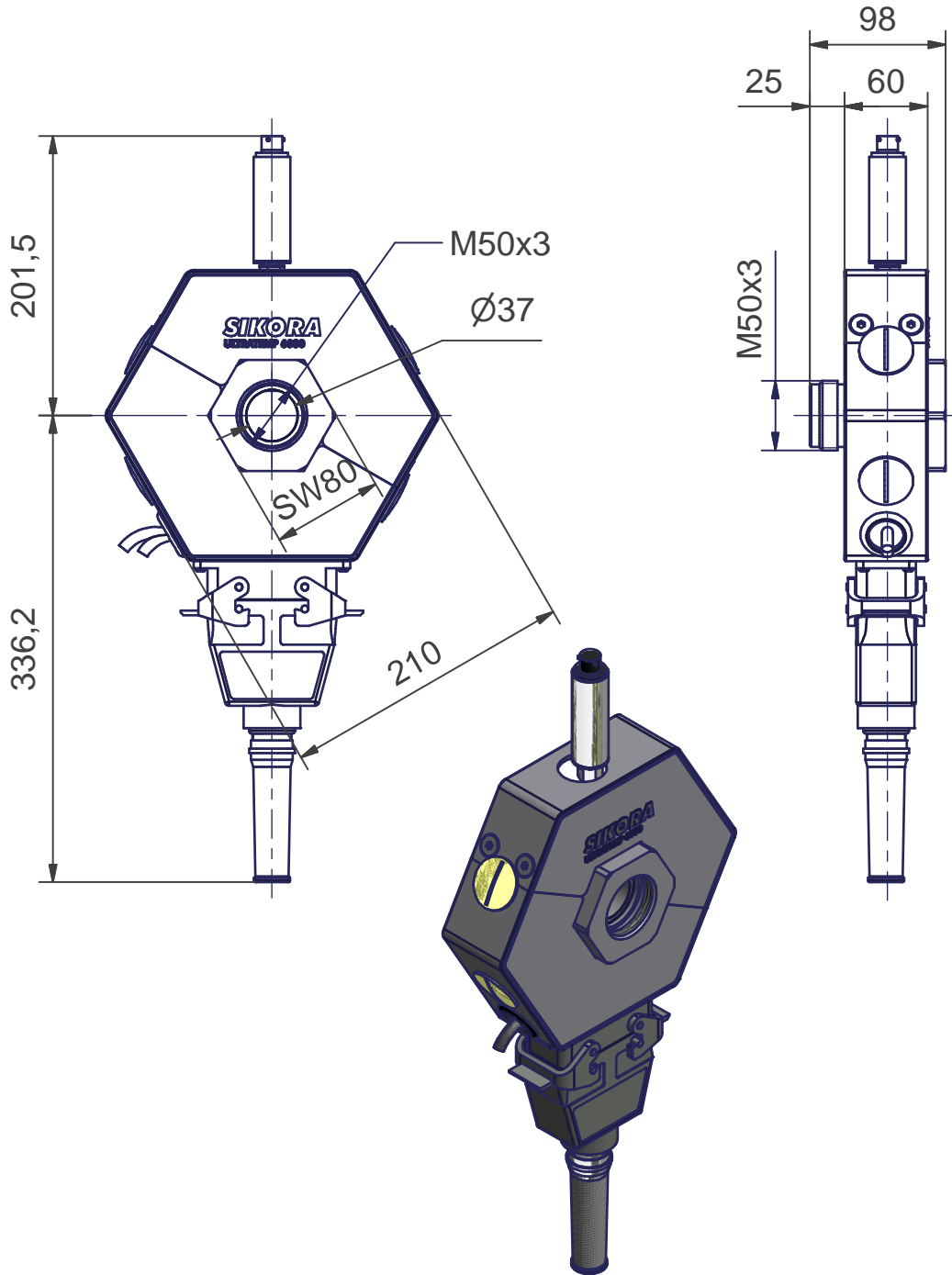




Copying of this document and giving it to others and the use or communication of the contents thereof, are forbidden without express authority. Offenders are liable to the payment of damages. All rights are reserved in the event of the grant of a patent or the registration of a utility model or design.



Identnummer / Part no.		Allgemeintoleranzen General tolerances			Maßstab / Scale 1:5	Gewicht / Weigth -
		ISO 2768-m				
			Date	Name	Benennung / Title Ultratemp 6000 Option ø37mm	
			Drawn 13.02.2014	J.Husse		
			Checked			
			Approved			
		 SIKORA Technology To Perfection SIKORA AG Bruchweide 2 28307 Bremen Germany			Zeichnungsnummer / Dwg no.	Blatt / Sheet
Rev	Modification	Date	Name	File FX03 Ultratemp 6000 Option ø37mm.idw / FX0300W8041A.d		Original size DINA4