
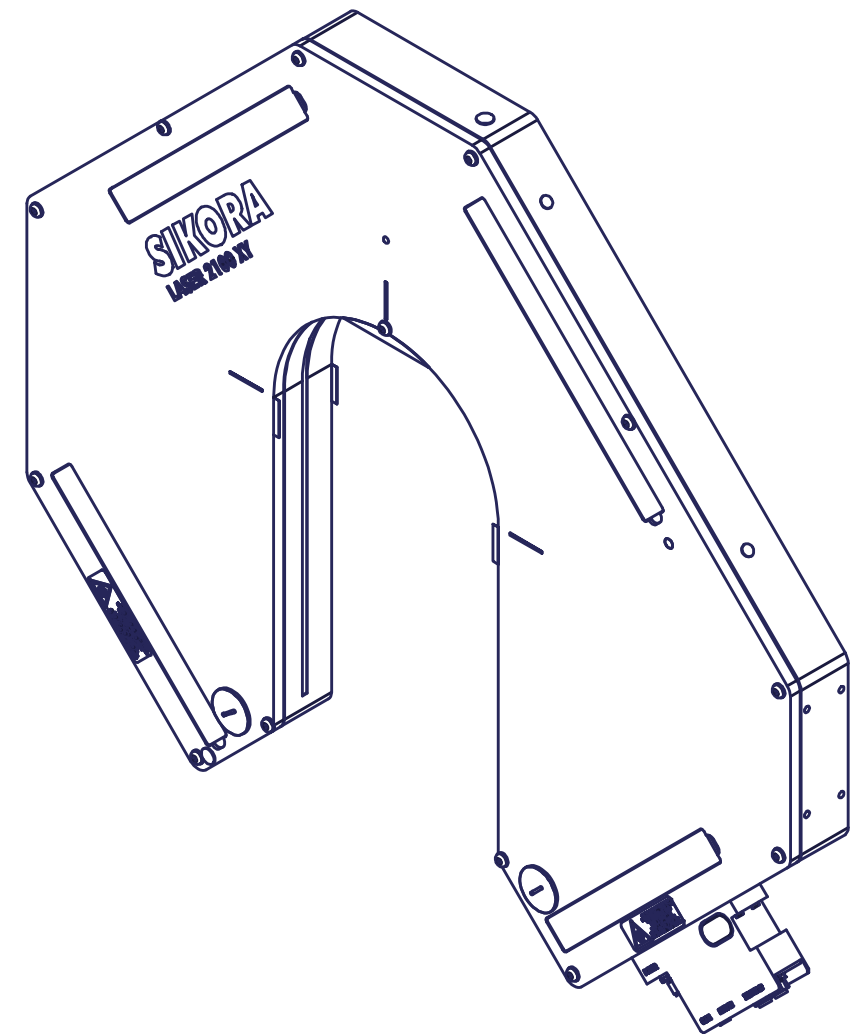
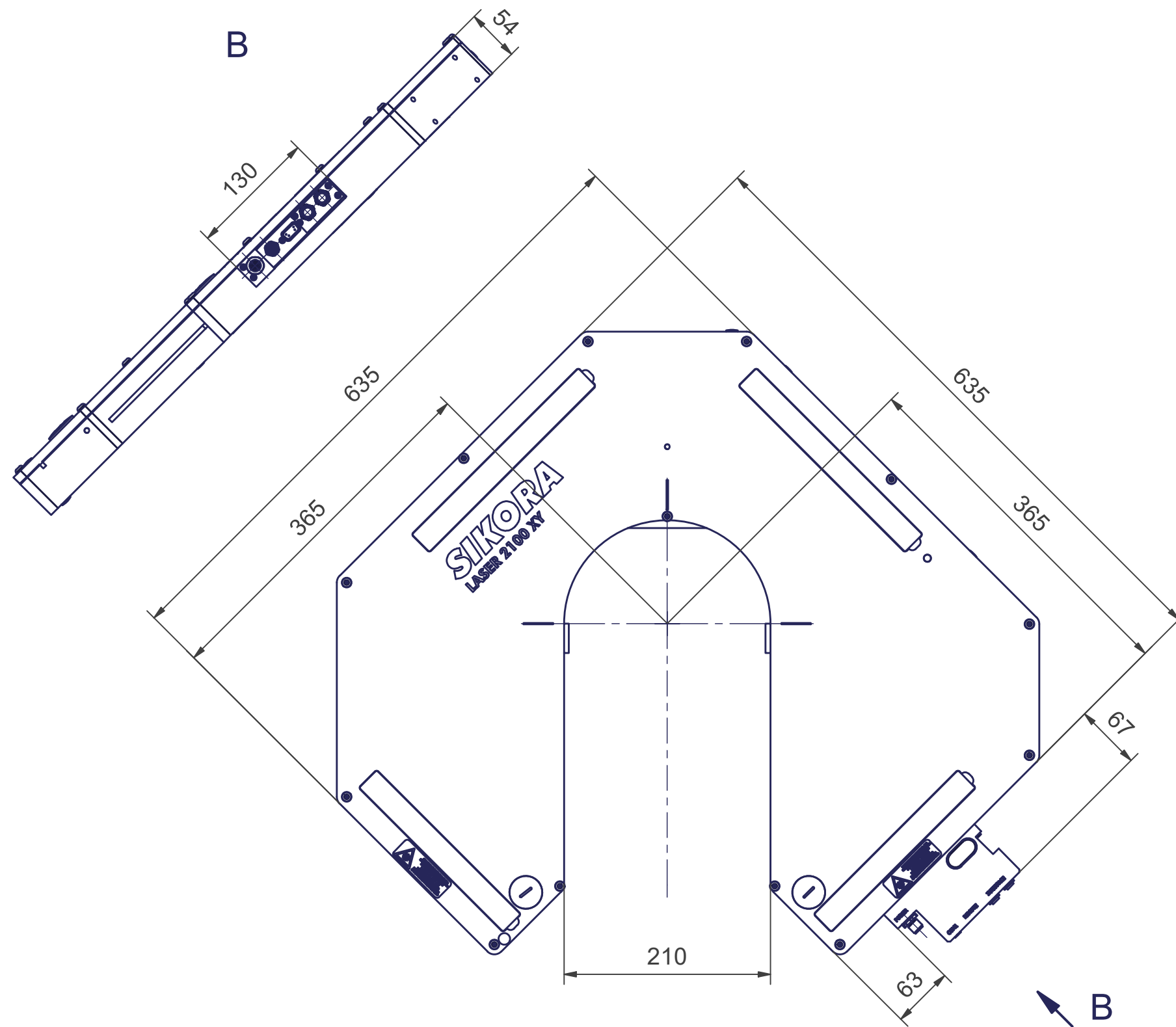



mit Steckermodul
with plug module

Identnummer / Part no.		Allgemeintoleranzen General tolerances		Maßstab / Scale 1 : 5		Gewicht / Weighth	
		ISO 2768-				Benennung / Title LASER 2100 XY - II <i>measuring device</i>	
						Zeichnungsnummer / Dwg no. EL020000	
						Revision	Blatt / Sheet
							1 / 2
						Rev.: -	Original size DINA3
Rev	Modification	Date	Name	SIKORA Technology To Perfection SIKORA AG Bruchweide 2 28307 Bremen Germany File EL020000 LASER 2100 XY.idw			

Copying of this document and giving it to others and the use or communication of the contents thereof, are forbidden without express authority. Offenders are liable to the payment of damages. All rights are reserved in the event of the grant of a patent or the registration of a utility model or design.



B mit Schnittstellenmodul
with interface module

Identnummer / Part no.		Allgemeintoleranzen General tolerances		Maßstab / Scale 1 : 5		Gewicht / Weighth	
		ISO 2768-				Benennung / Title LASER 2100 XY - II <i>measuring device</i>	
	Date	Name					
	Drawn	23.10.2023 rheiges					
	Checked	13.11.2023 mkoester					
	Approved			Zeichnungsnummer / Dwg no. EL020000		Revision Blatt / Sheet 2 / 2 Original size DIN A3	
SIKORA Technology To Perfection SIKORA AG Bruchweide 2 28307 Bremen Germany							
Rev	Modification	Date	Name	File EL020000 LASER 2100 XY.idw		Rev.: -	