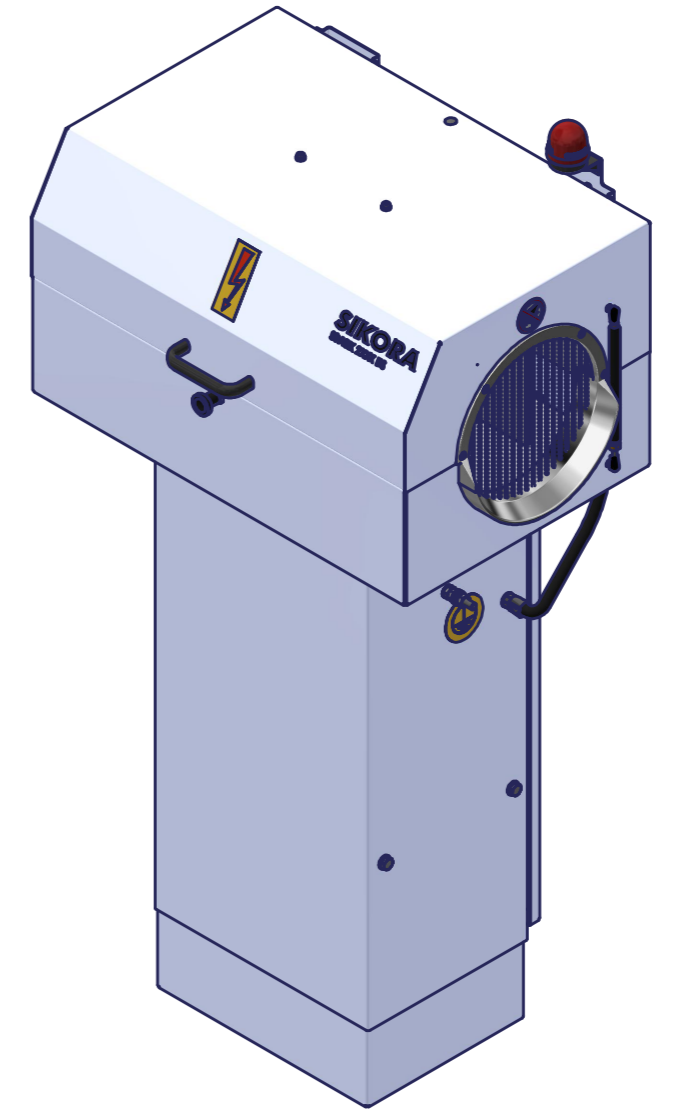
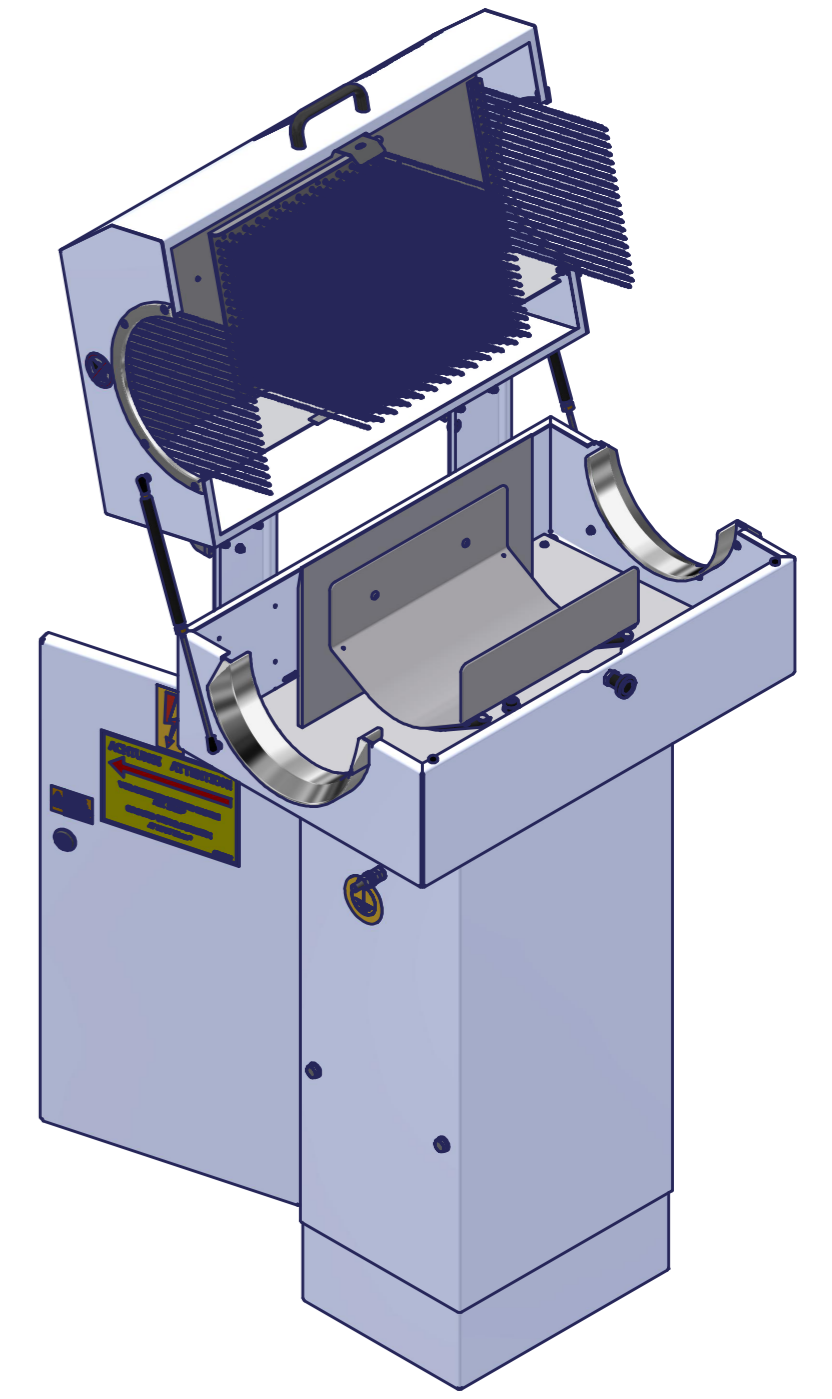
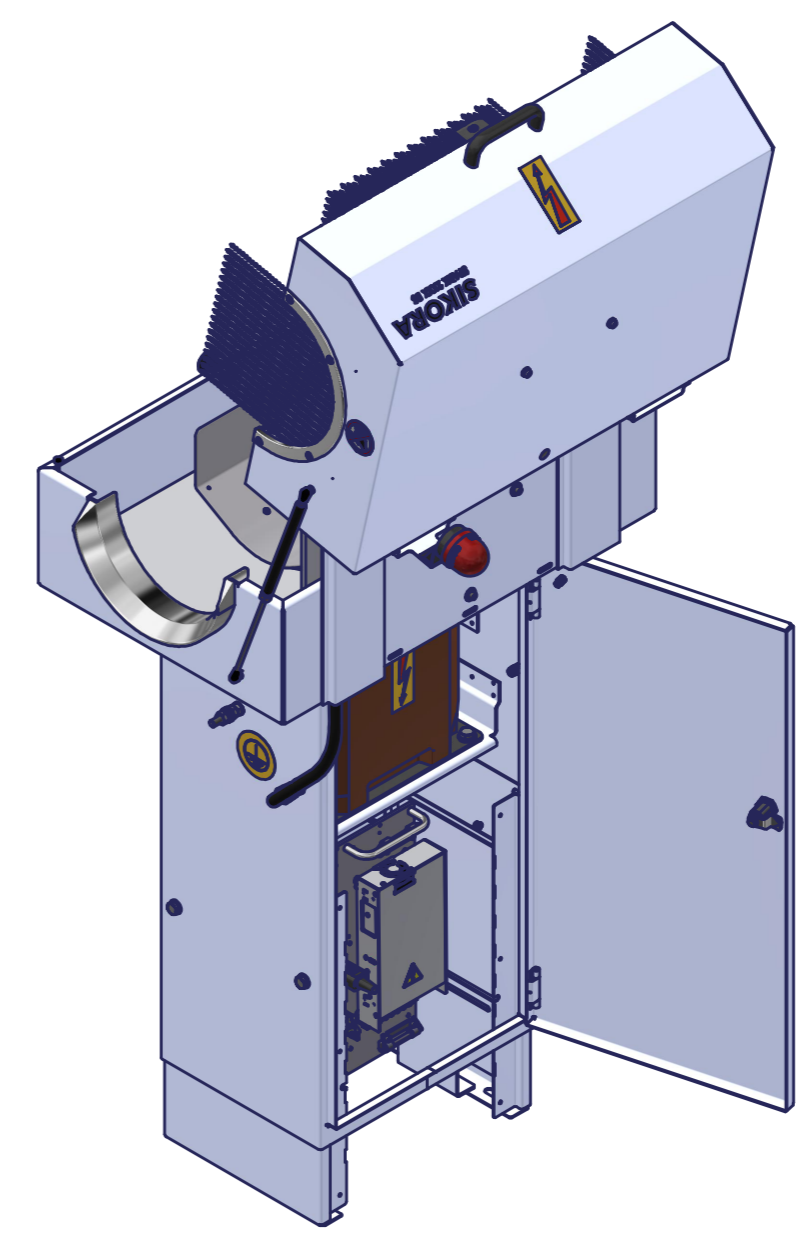
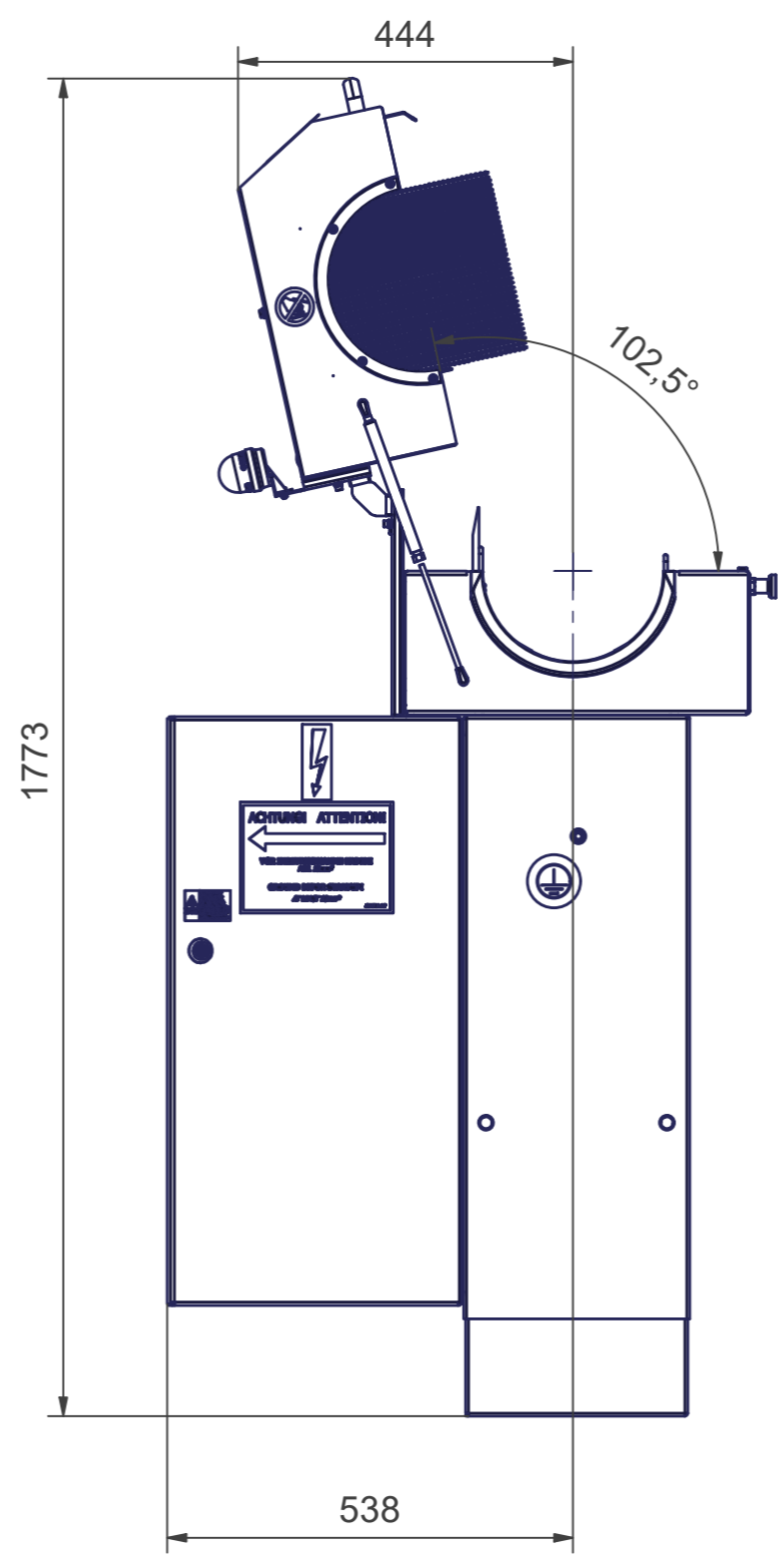
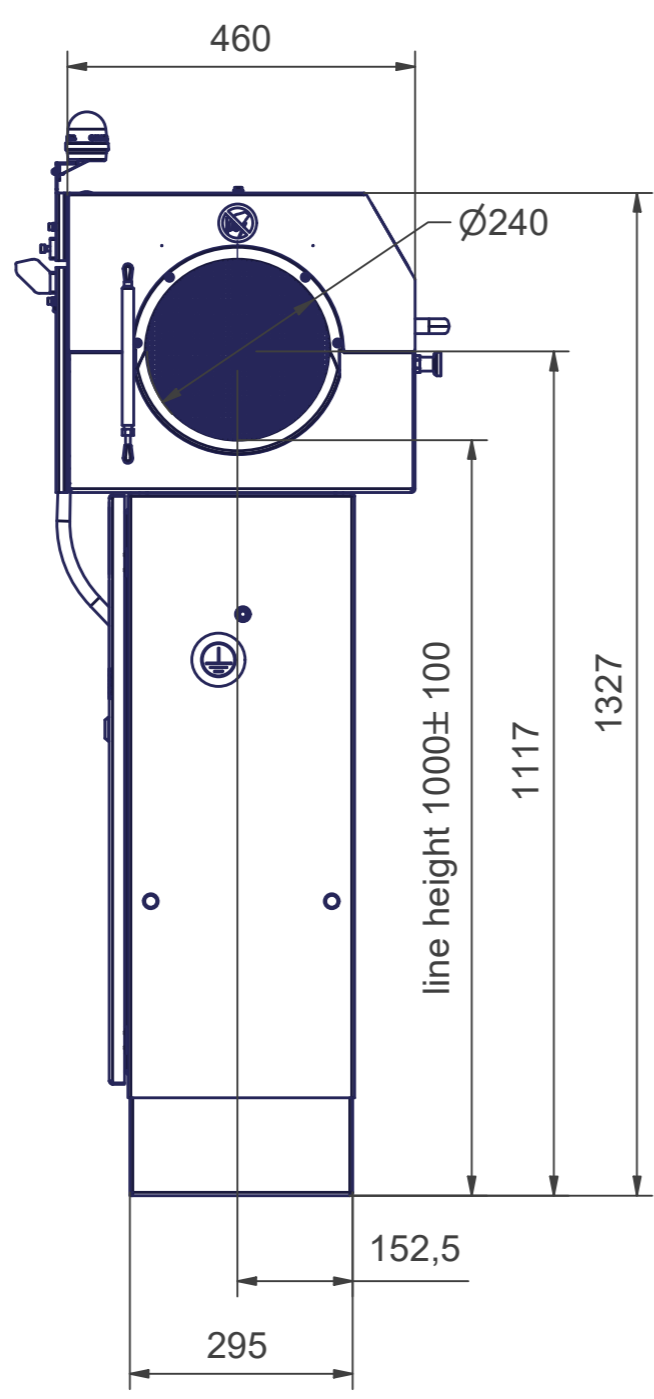
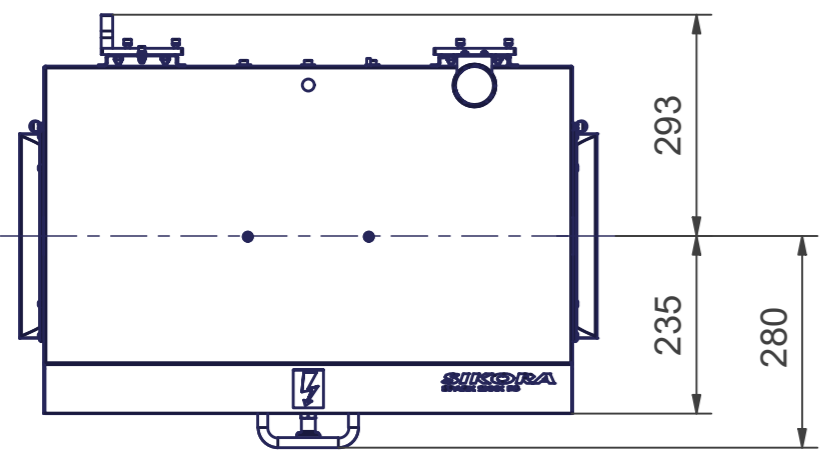
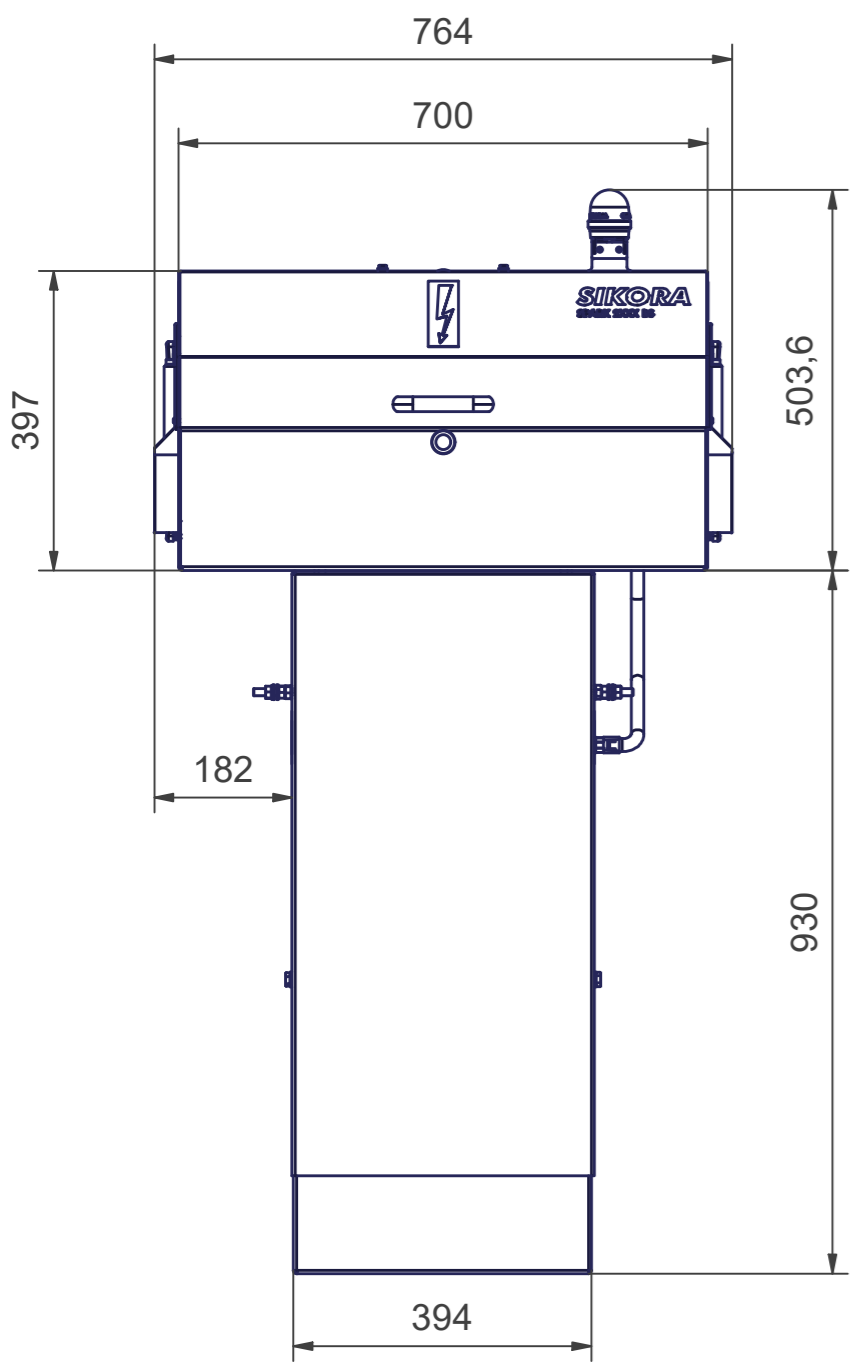
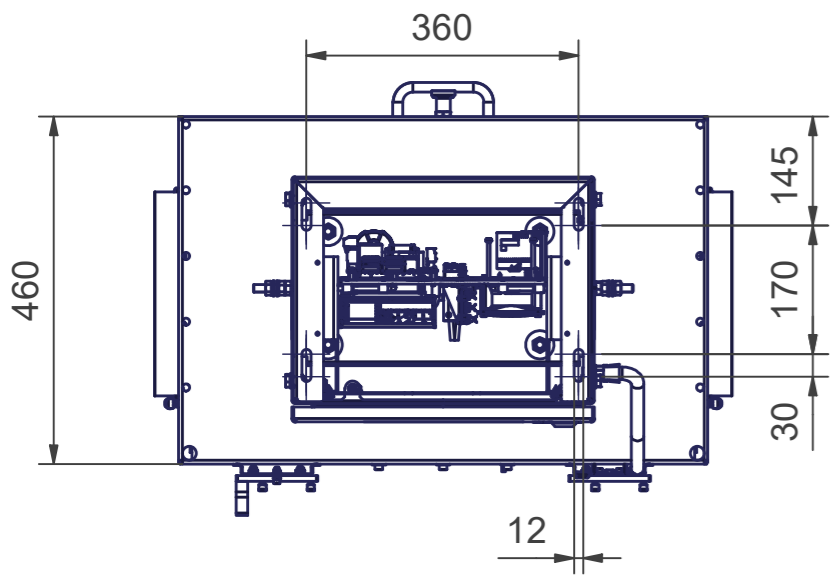


Copying of this document and giving it to others and the use or communication of the contents thereof, are forbidden without express authority. Offenders are liable to the payment of damages. All rights are reserved in the event of the grant of a patent or the registration of a utility model or design.



Identnummer / Part no.		Allgemeintoleranzen General tolerances ISO 2768-mK		Maßstab / Scale 1 : 10		Gewicht / Weigth	
						Benennung / Title SPARK 2200 BS spark tester	
						Zeichnungsnummer / Dwg no. EP01-131652	
						Revision 1 / 1 Original size DINA2	
Rev	Modification	Date	Name	File 131652.idw		Rev. -	