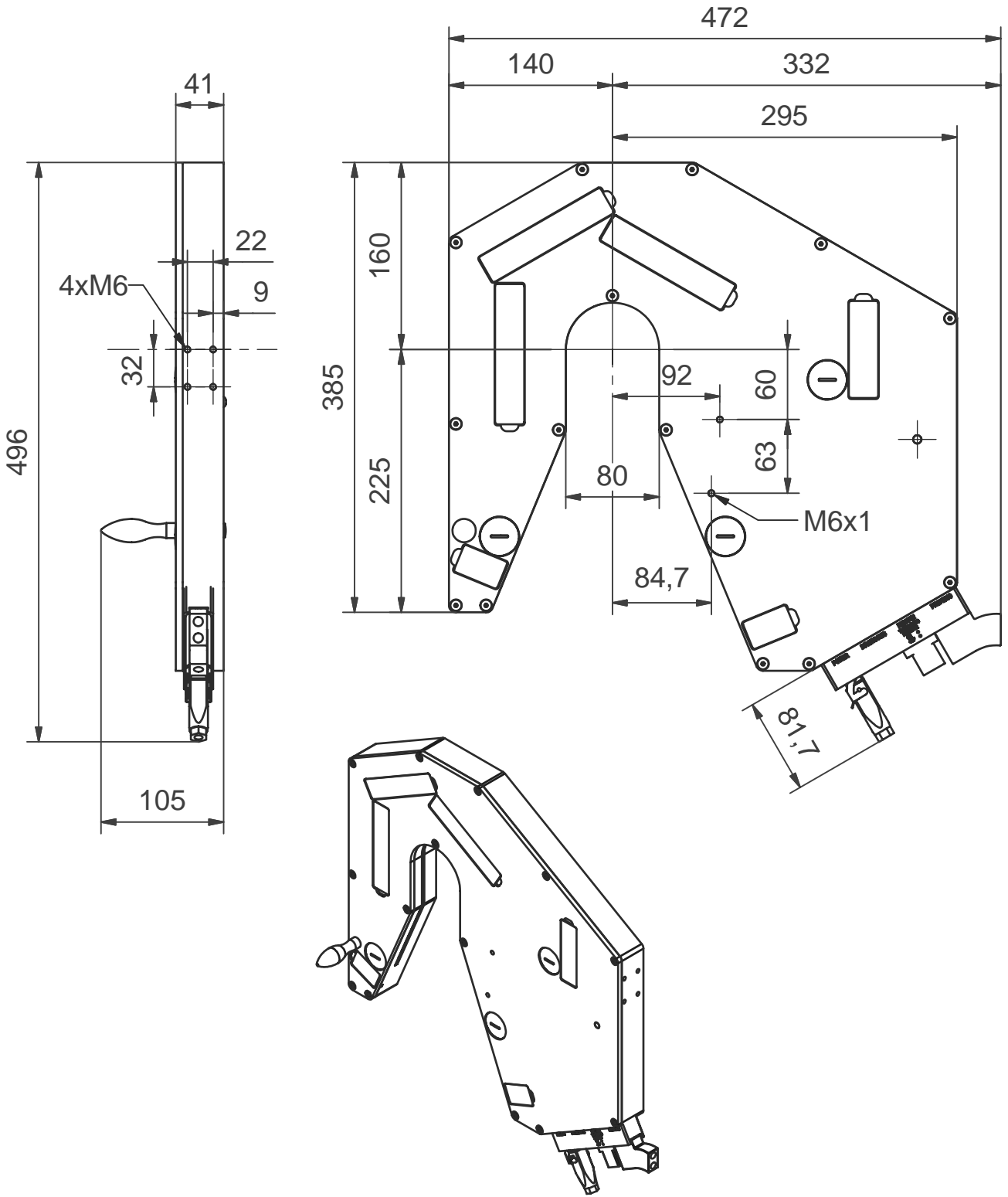
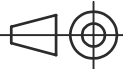


Copying of this document and giving it to others and the use or communication of the contents thereof, are forbidden without express authority. Offenders are liable to the payment of damages. All rights are reserved in the event of the grant of a patent or the registration of a utility model or design.



Identnummer / Part no.		Allgemeintoleranzen General tolerances			Maßstab / Scale 1:5	
		DIN7168-m			Material	Beschichtung Coating
			Date	Name	Benennung / Title	
			Drawn 26.11.2008	K.Dröge	LASER 2050 T + S/R Verkauf / for selling	
			Checked			
			Approved			
		SIKORA AG Bruchweide 2 D28307 Bremen			Zeichnungsnummer / Dwg no.	
					EZ010000	
Rev	Modification	Date	Name	File	EZ010000 Laser 2050 T + S R.idw	
					Blatt / Sheet	
					1 / 1	
					Original size	
					DIN A4	