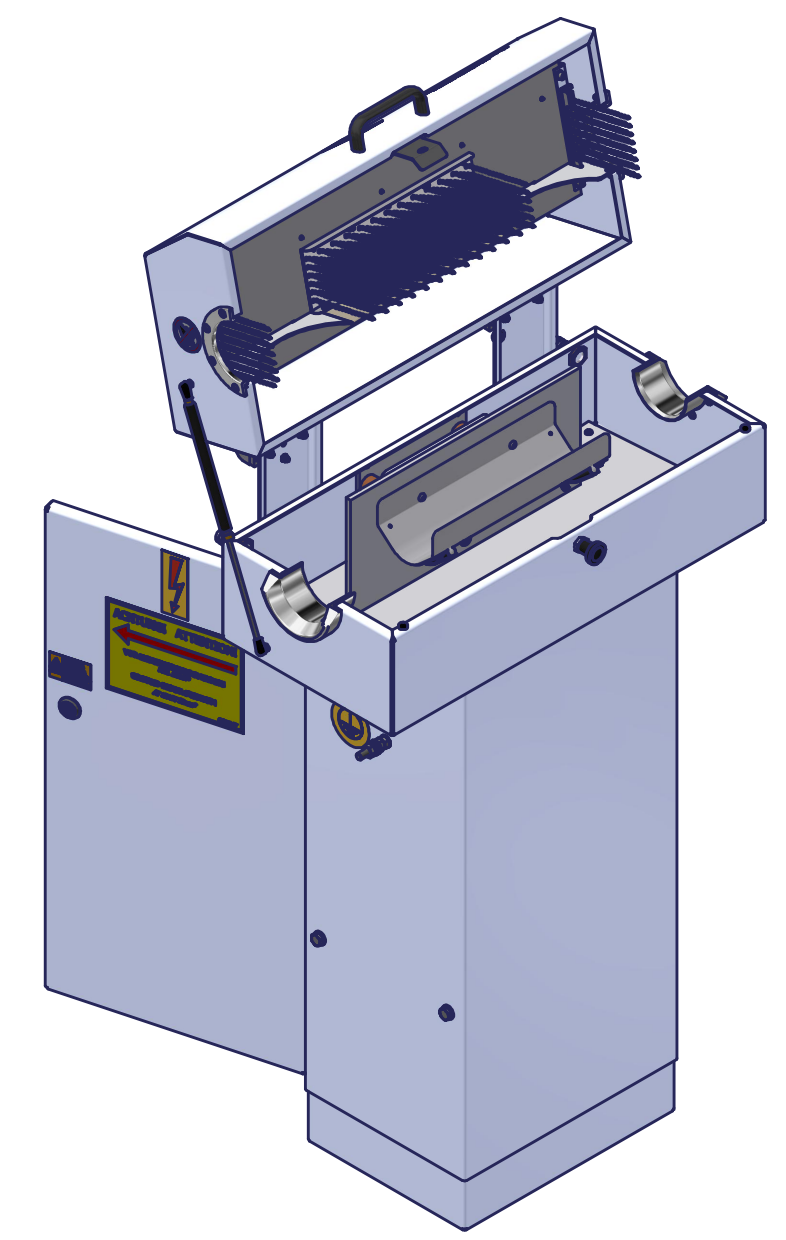
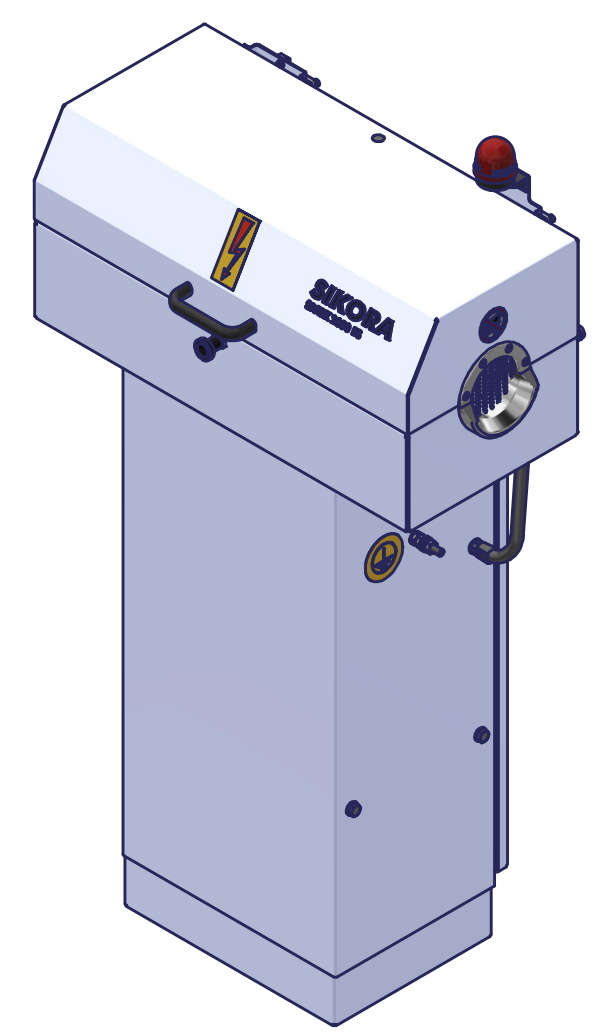
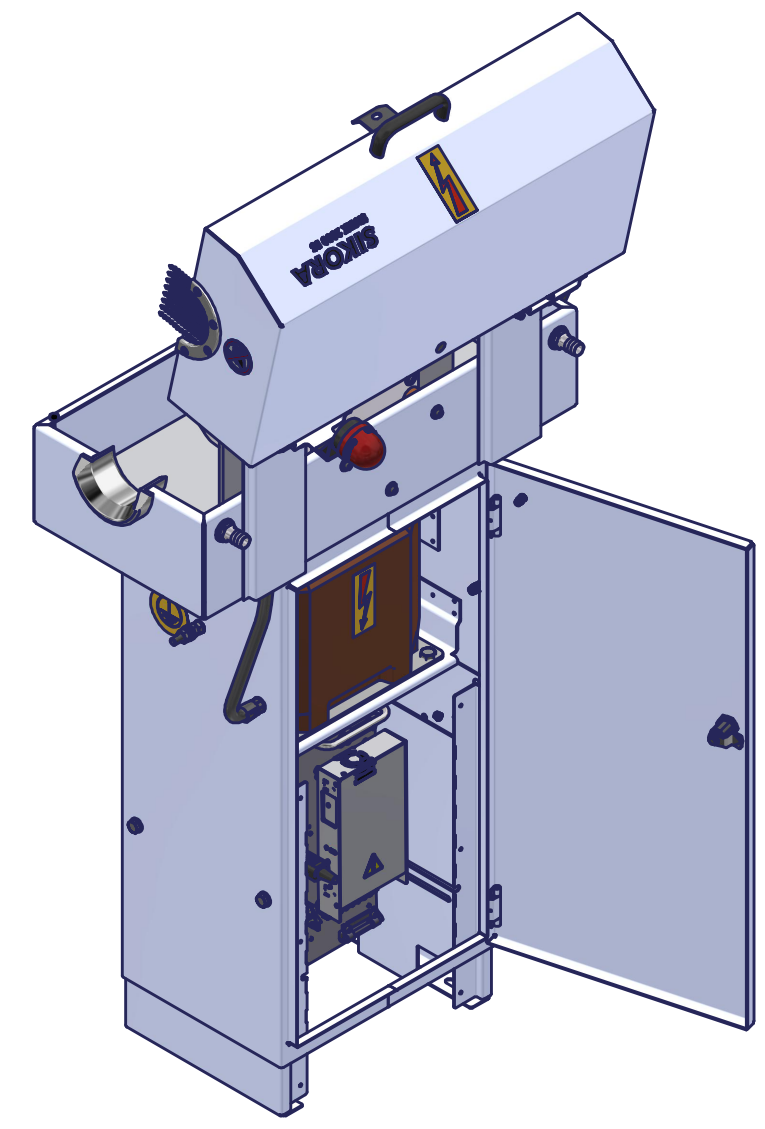
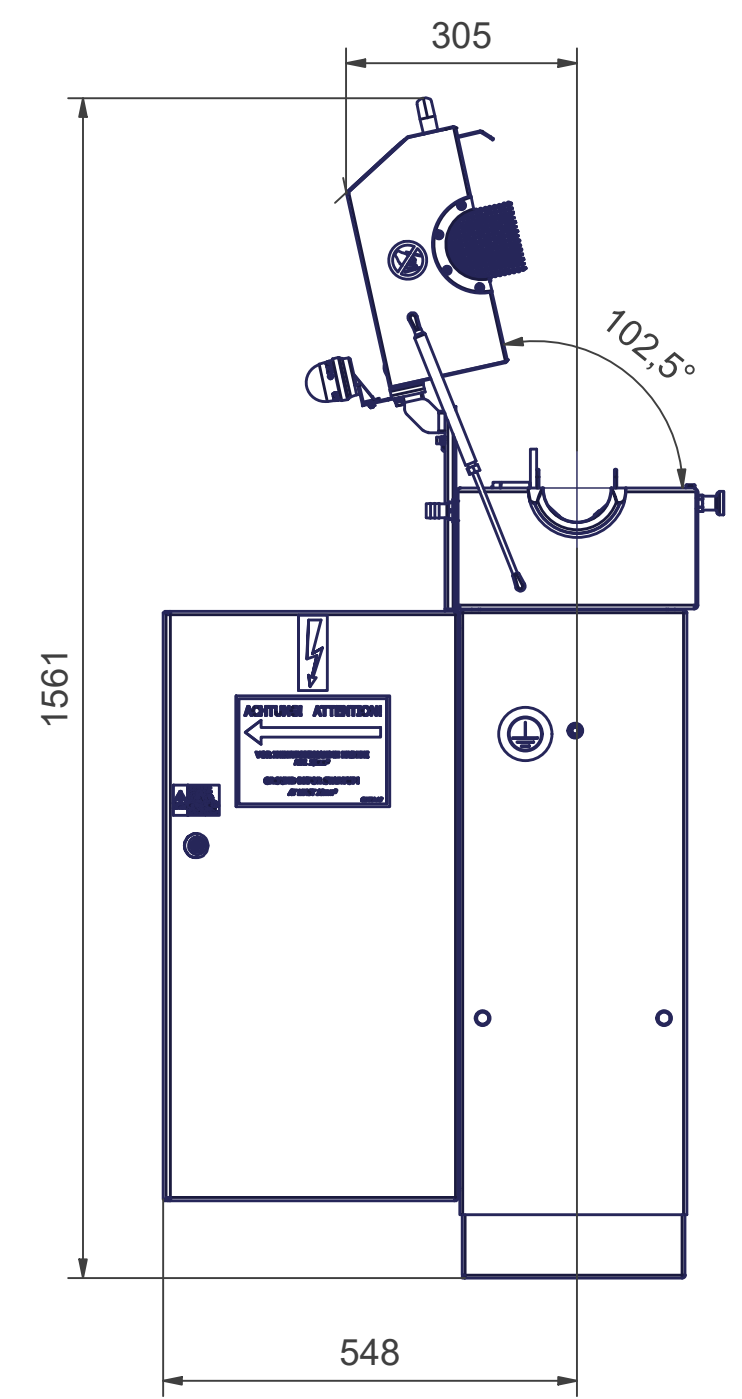
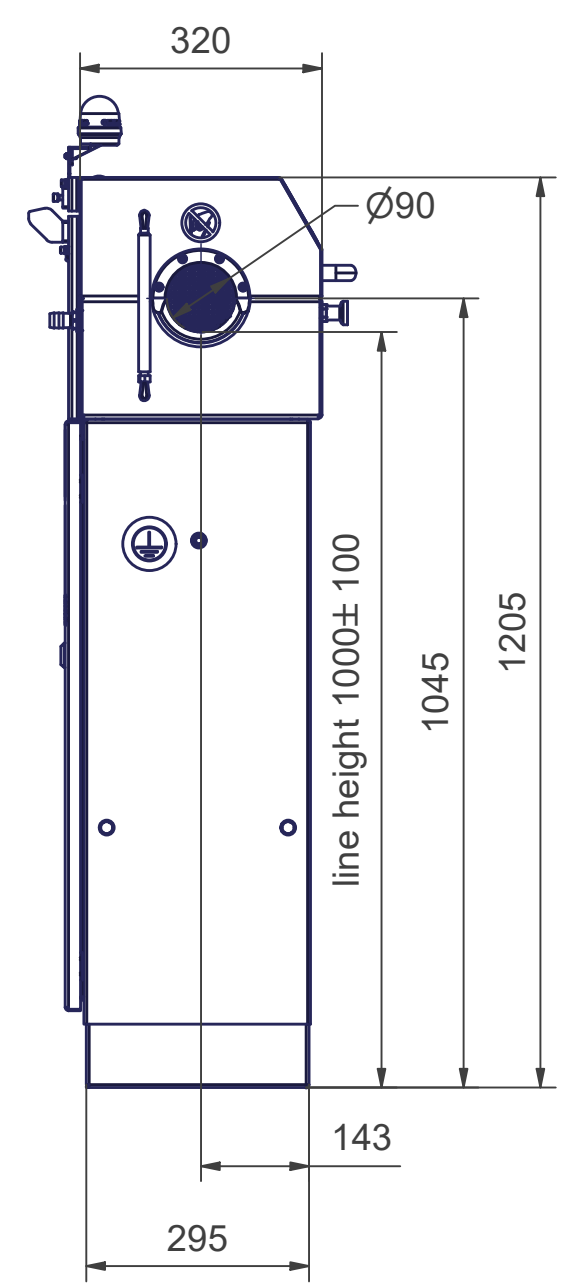
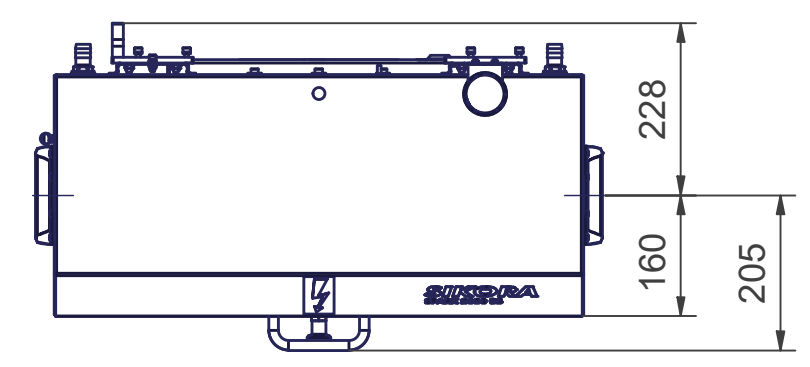
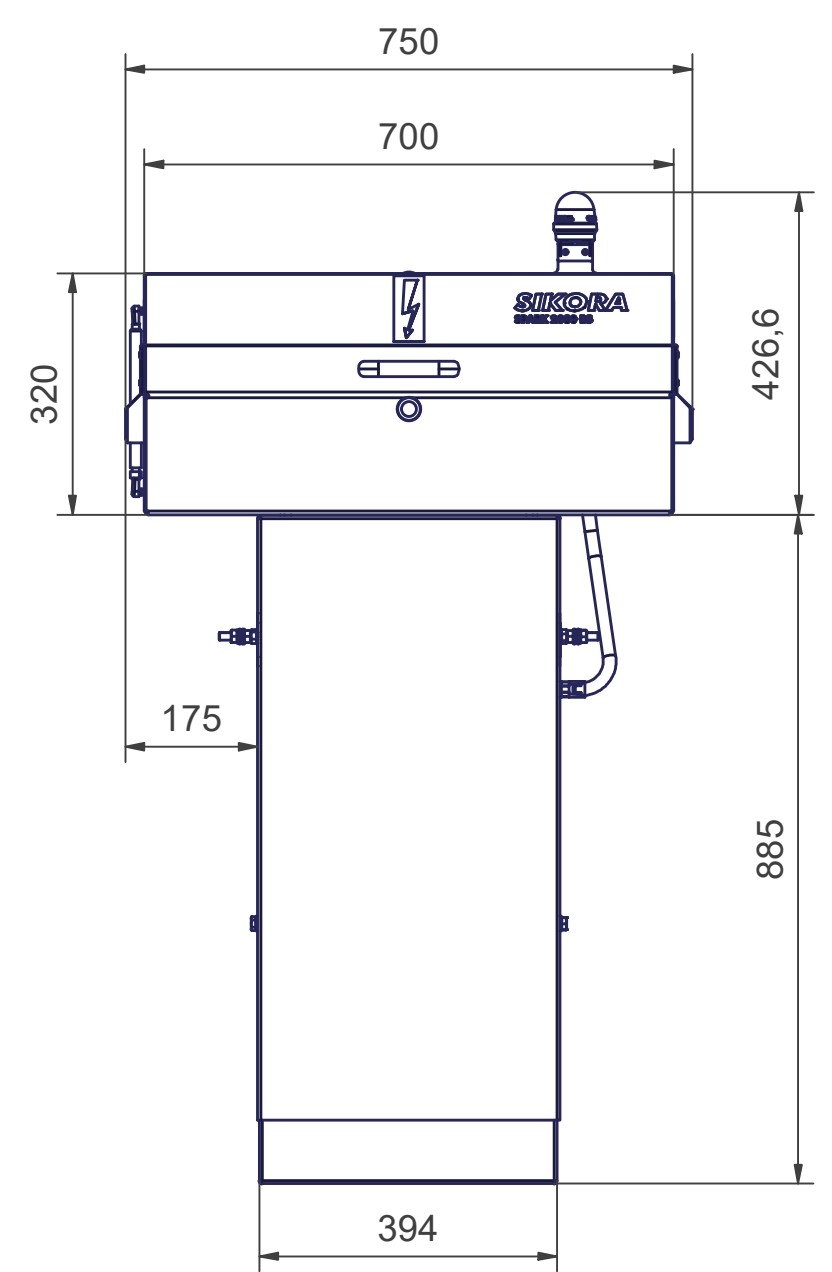
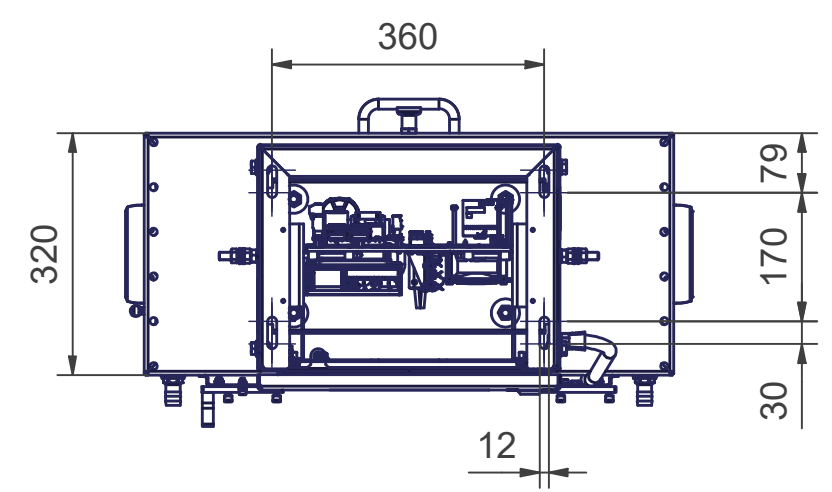


Copying of this document and giving it to others and the use or communication of the contents thereof, are forbidden without express authority. Offenders are liable to the payment of damages. All rights are reserved in the event of the grant of a patent or the registration of a utility model or design.



Identnummer / Part no.		Allgemeintoleranzen General tolerances ISO 2768-mK		Maßstab / Scale 1 : 10		Gewicht / Weight	
				Benennung / Title		SPARK 2060 BS	
						spark tester	
				Zeichnungsnummer / Dwg no.		Revision	
				FB01-131657		1 / 1	
						Original size DINA2	
Rev	Modification	Date	Name	File 131657.idw		Rev. -	

