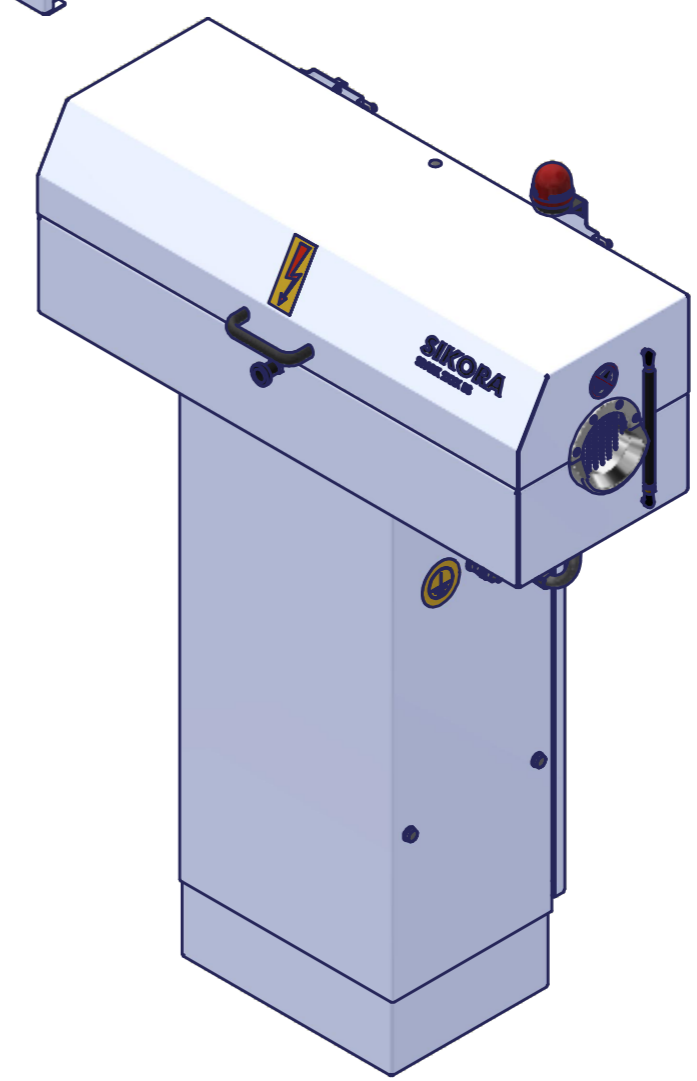
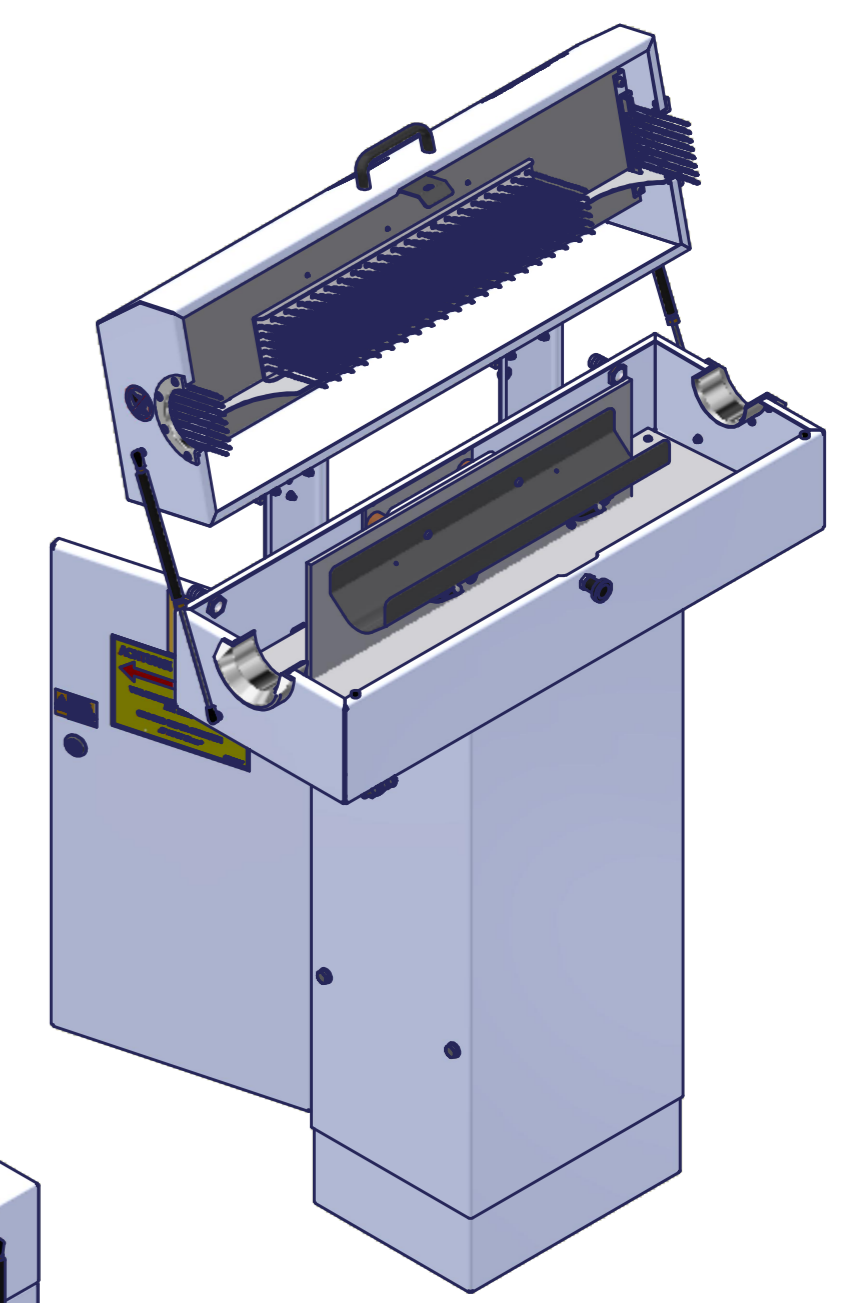
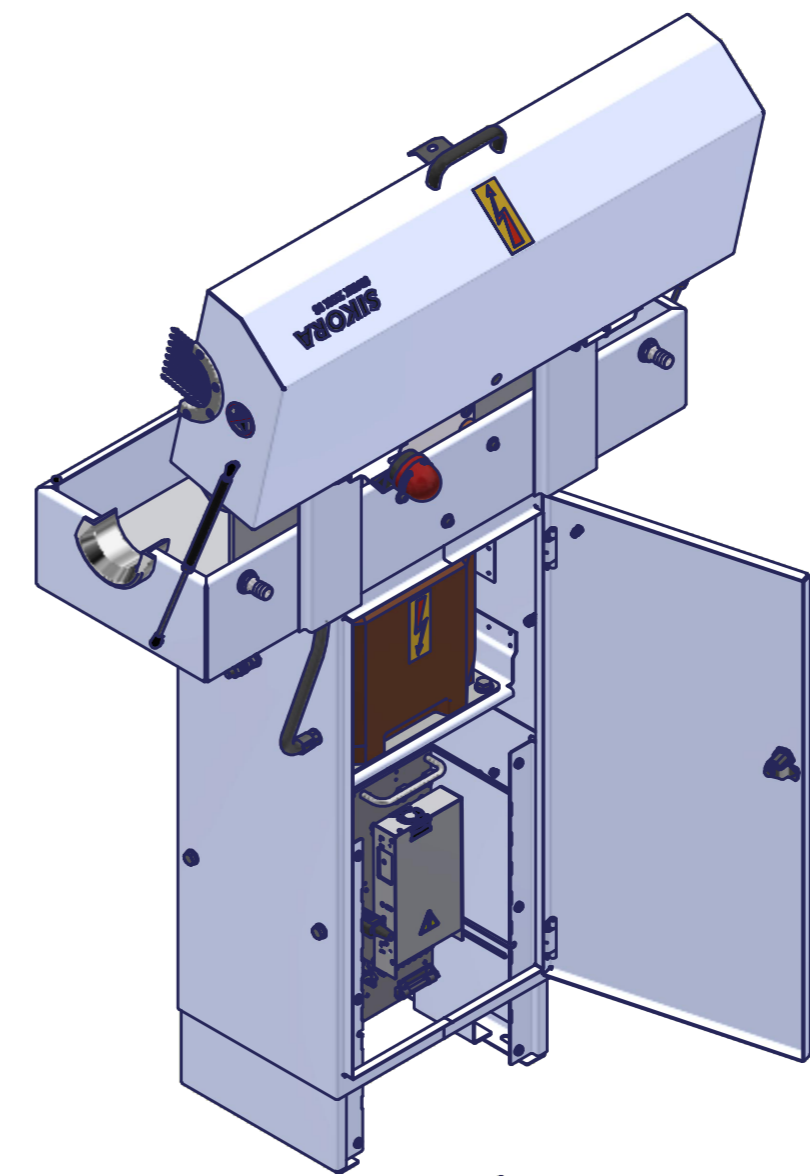
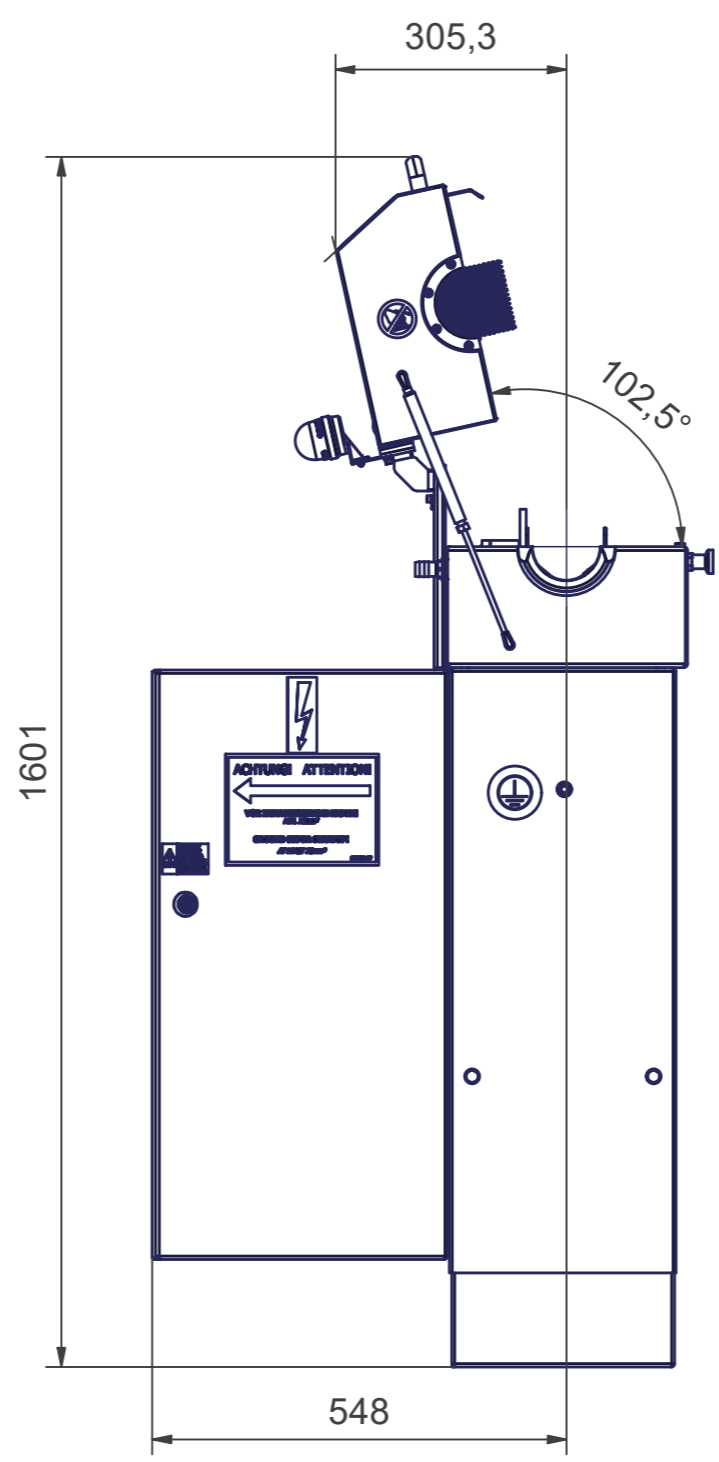
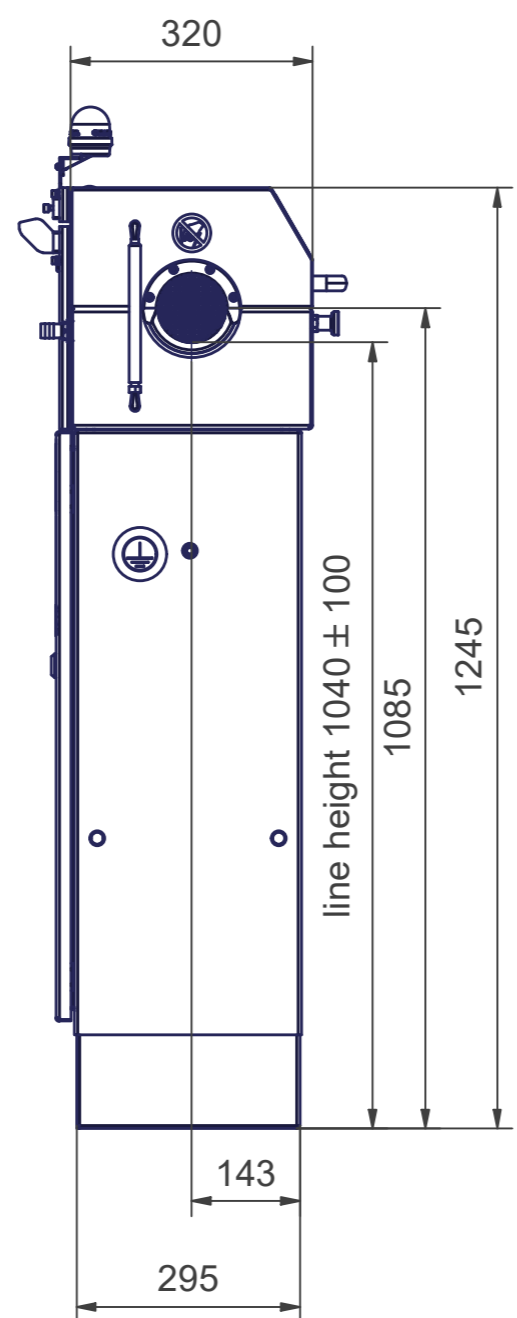
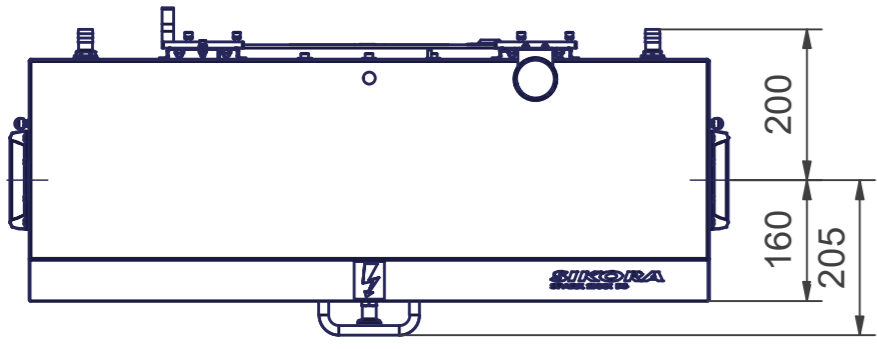
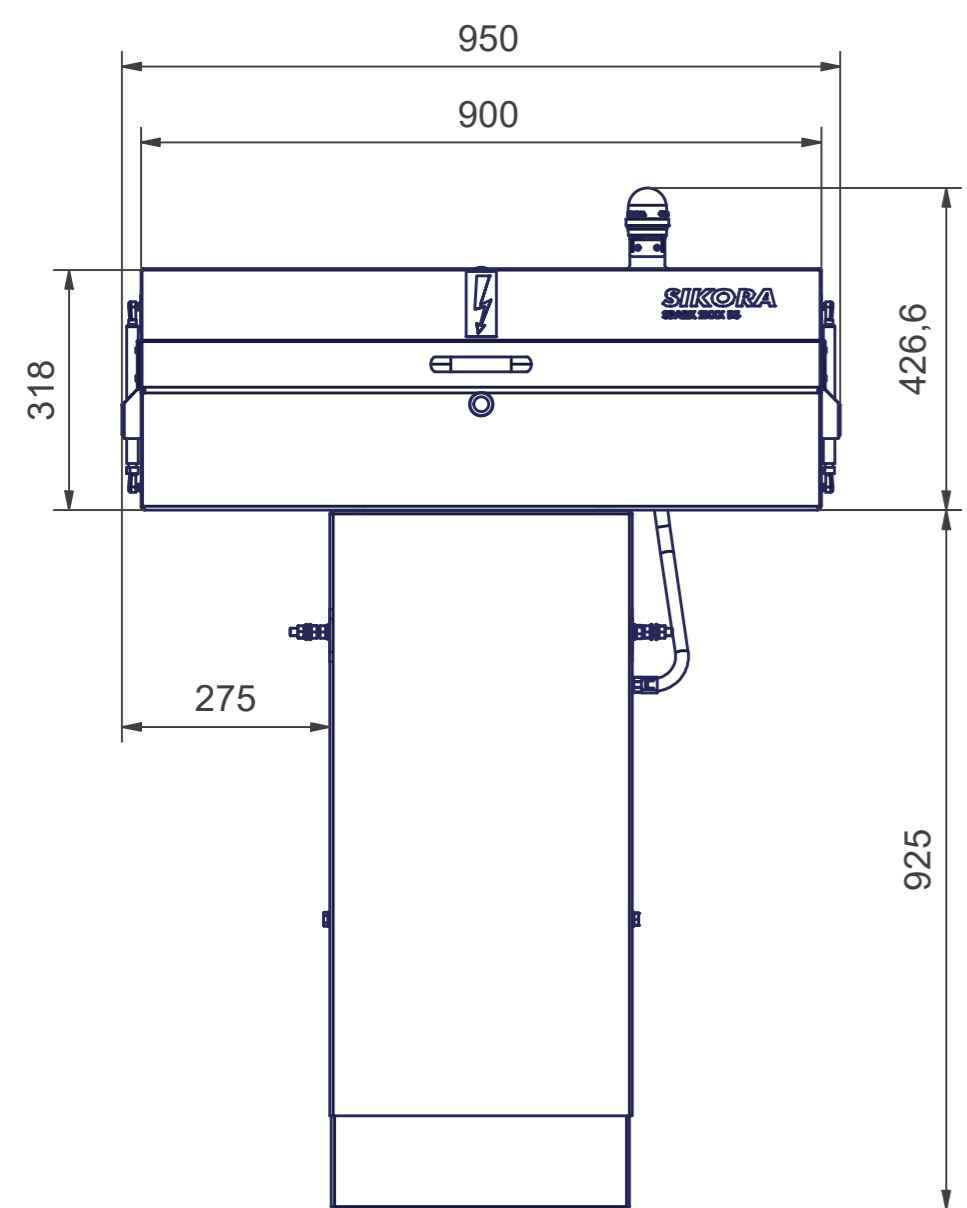
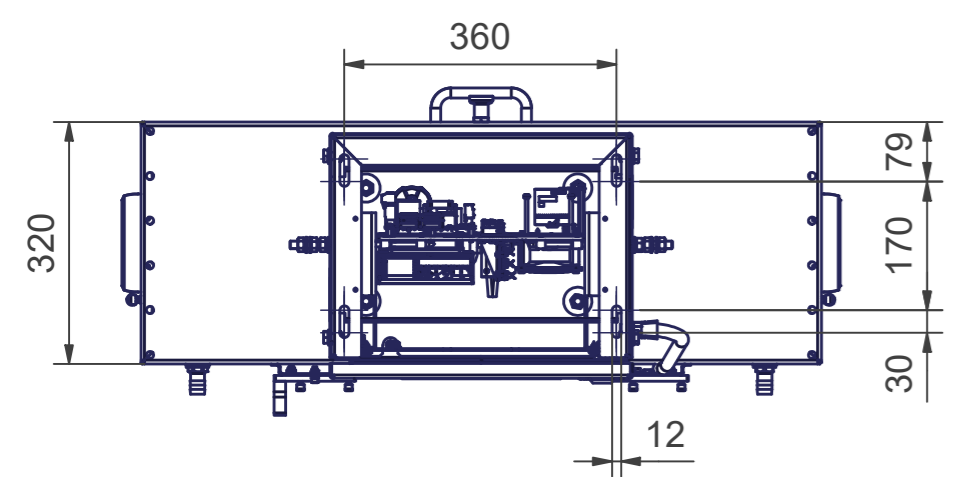


Copying of this document and giving it to others and the use or communication of the contents thereof, are forbidden without express authority. Offenders are liable to the payment of damages. All rights are reserved in the event of the grant of a patent or the registration of a utility model or design.



Identnummer / Part no.		Allgemeintoleranzen General tolerances ISO 2768-mK		Maßstab / Scale 1 : 10		Gewicht / Weighth	
		Date Name		Benennung / Title			
		Drawn 04.03.2024 mkoester		SPARK 2060 BS-600			
		Checked 18.03.2024 theins		spark tester			
		Approved		Zeichnungsnummer / Dwg no.		Revision	
		Date Name		FB02-131660		1 / 1	
		Date Name		Rev. -		Original size DINA2	
		Date Name		File 131660.idw		Rev. -	

