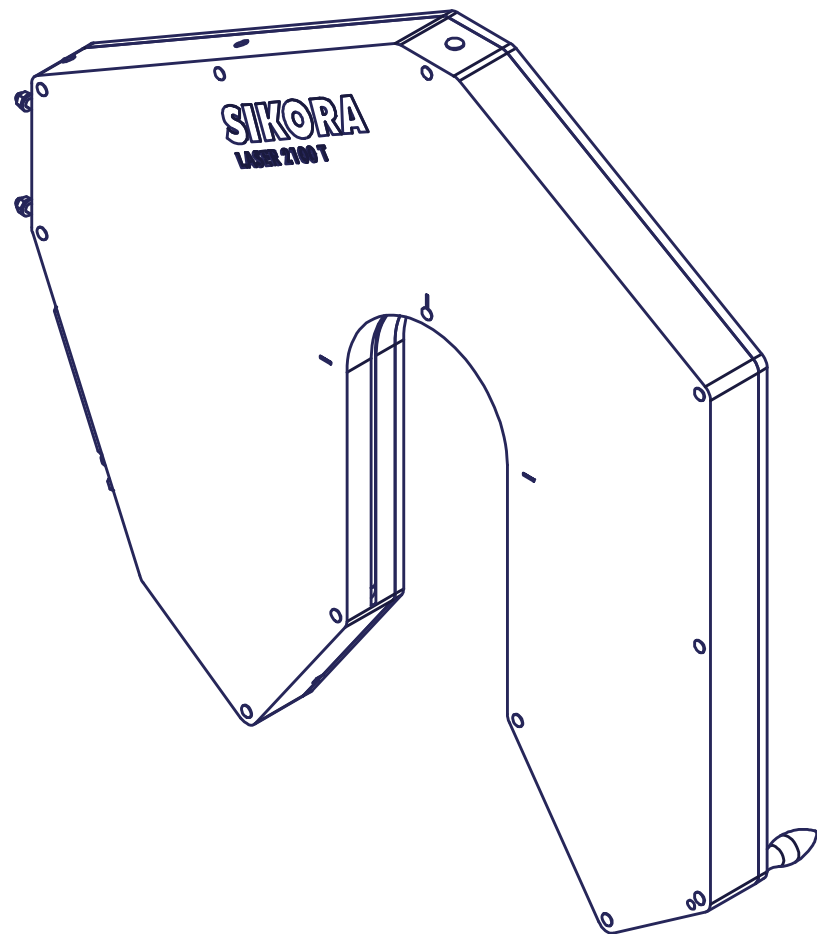
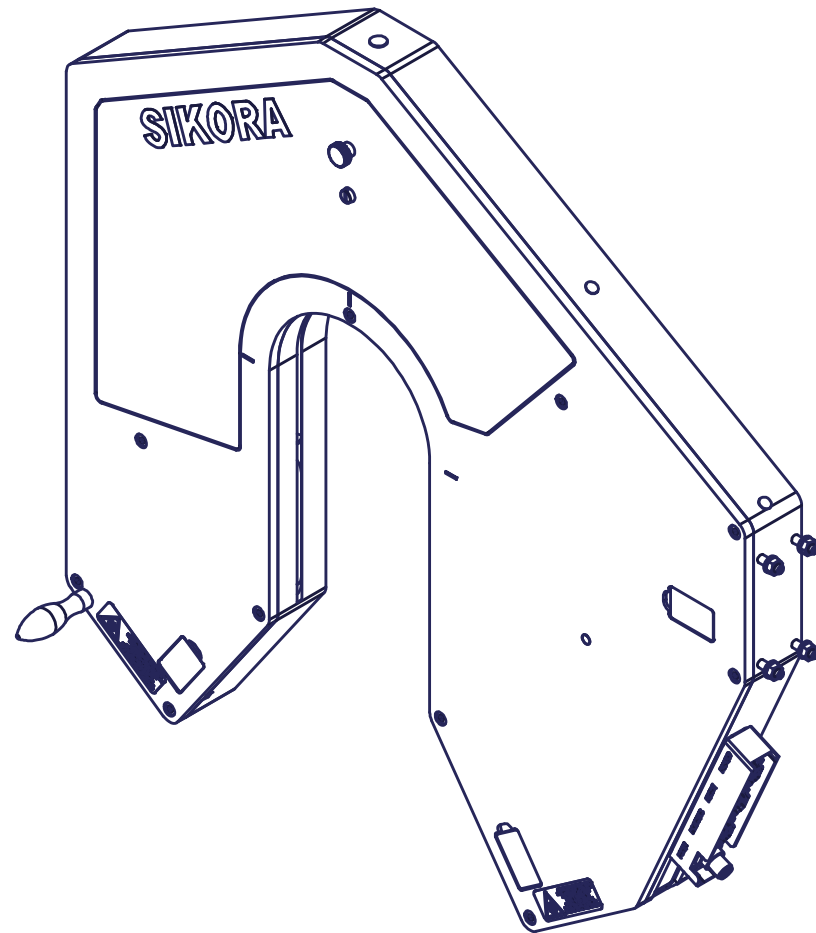
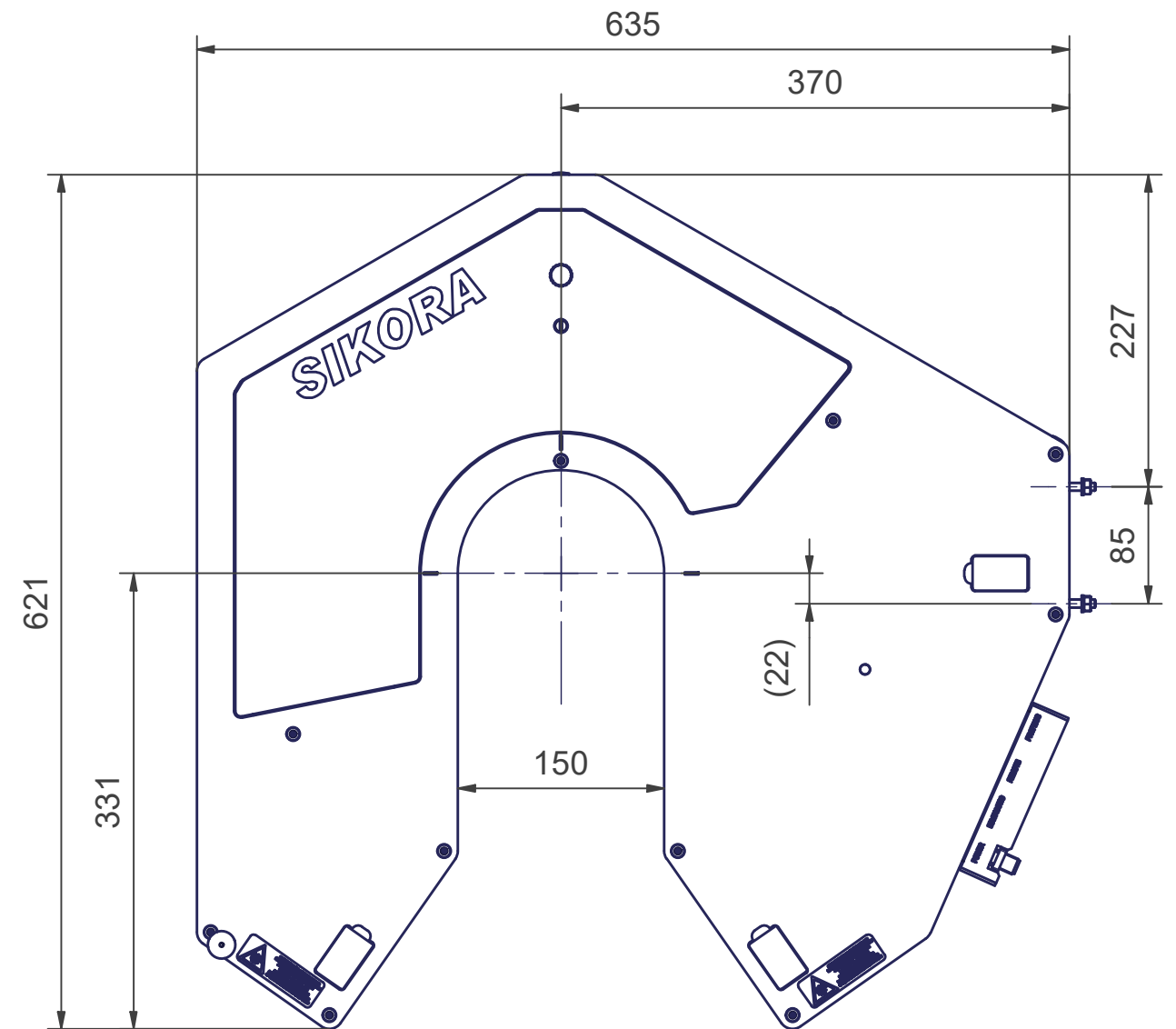
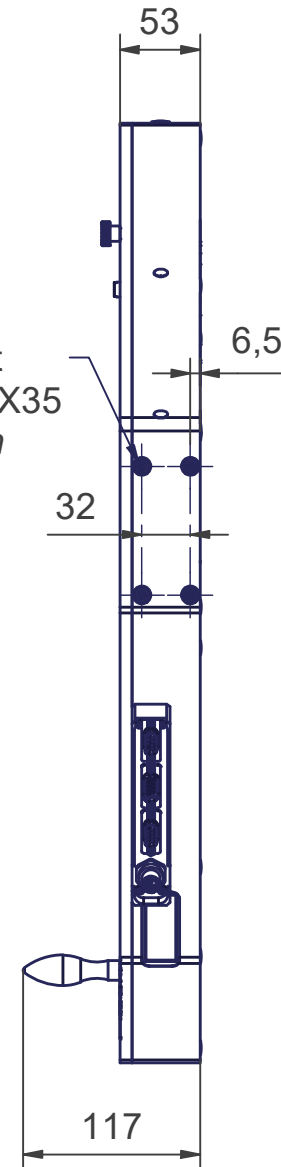


Copying of this document and giving it to others and the use or communication of the contents thereof, are forbidden without express authority. Offenders are liable to the payment of damages. All rights are reserved in the event of the grant of a patent or the registration of a utility model or design.



Gewindestift
DIN 913 M6X35
threaded pin



mit Steckermodul
with plug module

Identnummer / Part no.		Allgemeintoleranzen General tolerances		Maßstab / Scale 1 : 5		Gewicht / Weigth	
		ISO 2768-m				Benennung / Title LASER 2100 T <i>measuring device</i>	
	Date	Name					
	Drawn	24.04.2012 J.Husse					
	Checked	24.04.2012 Driebe					
	Approved						
				SIKORA Technology To Perfection SIKORA AG Bruchweide 2 28307 Bremen Germany		Zeichnungsnummer / Dwg no.	
						FO03	
Rev	Modification	Date	Name	File FO03 LASER 2100 T.idw		Rev.: -	1 / 1 Original size DINA3