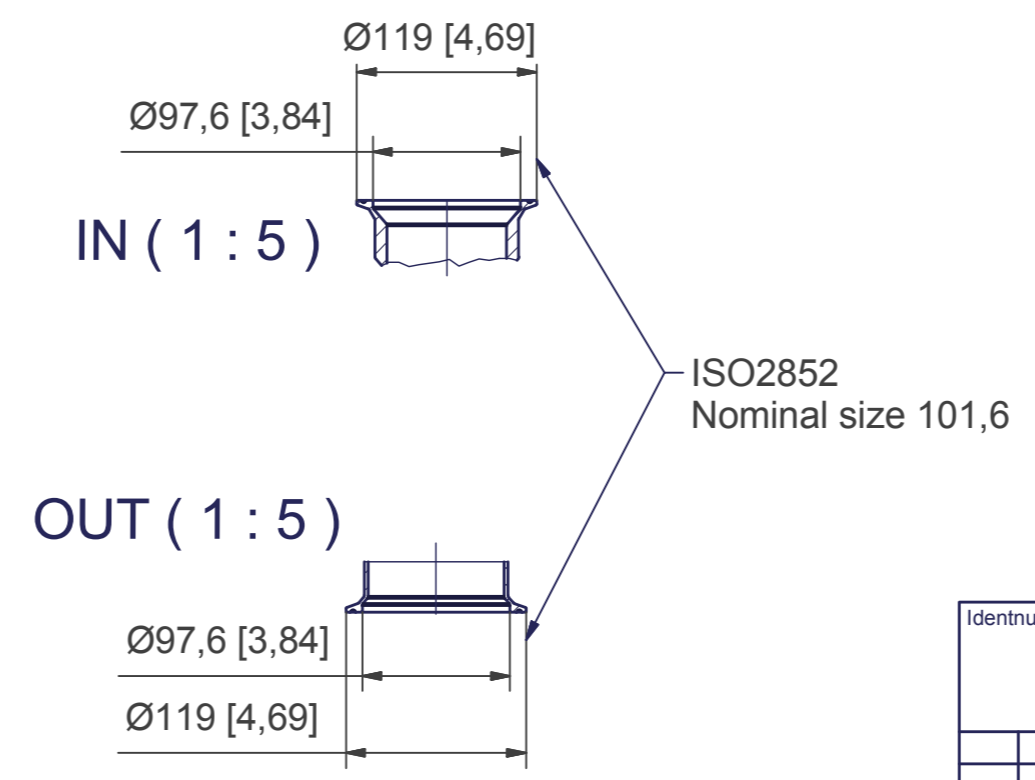
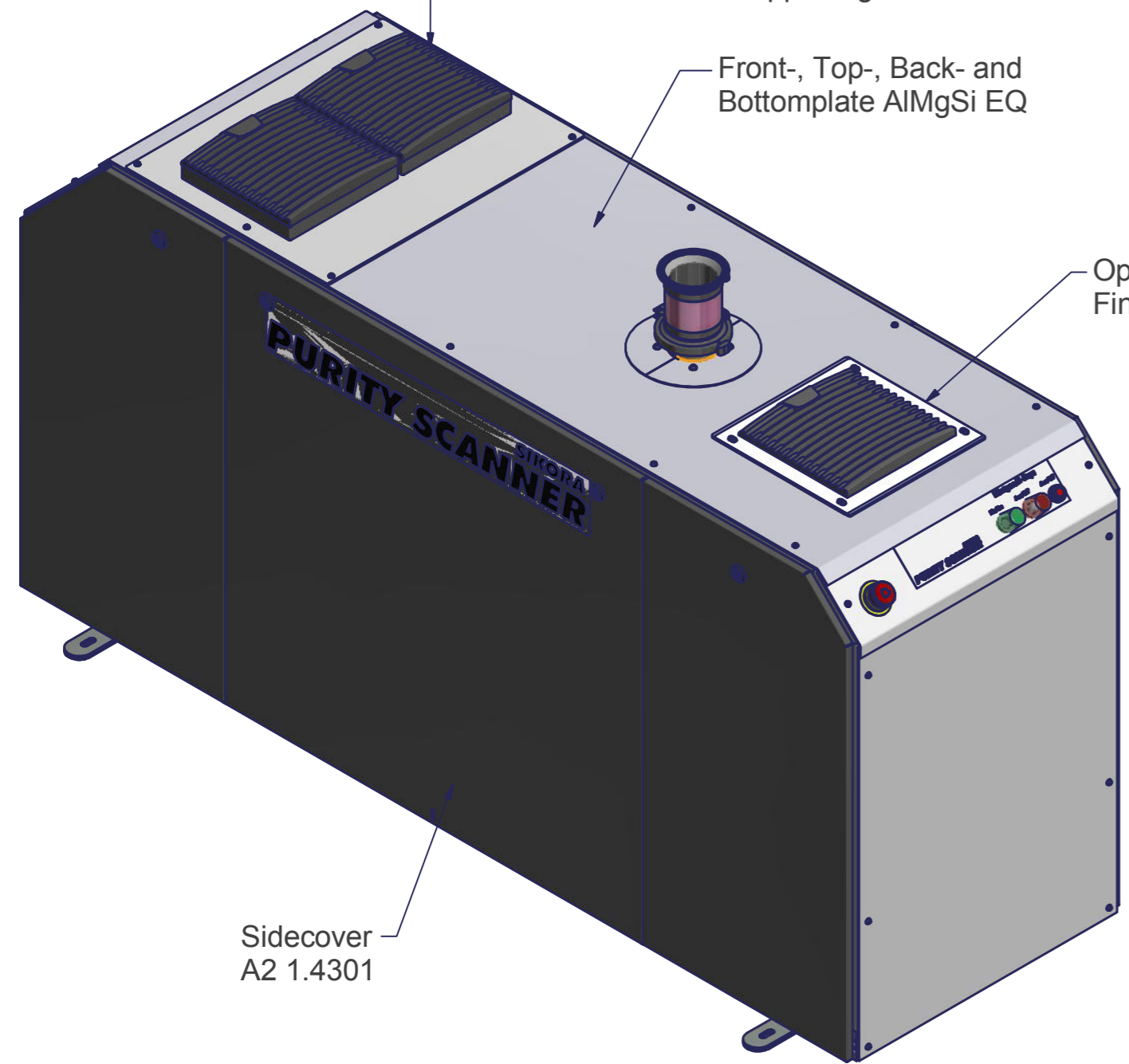


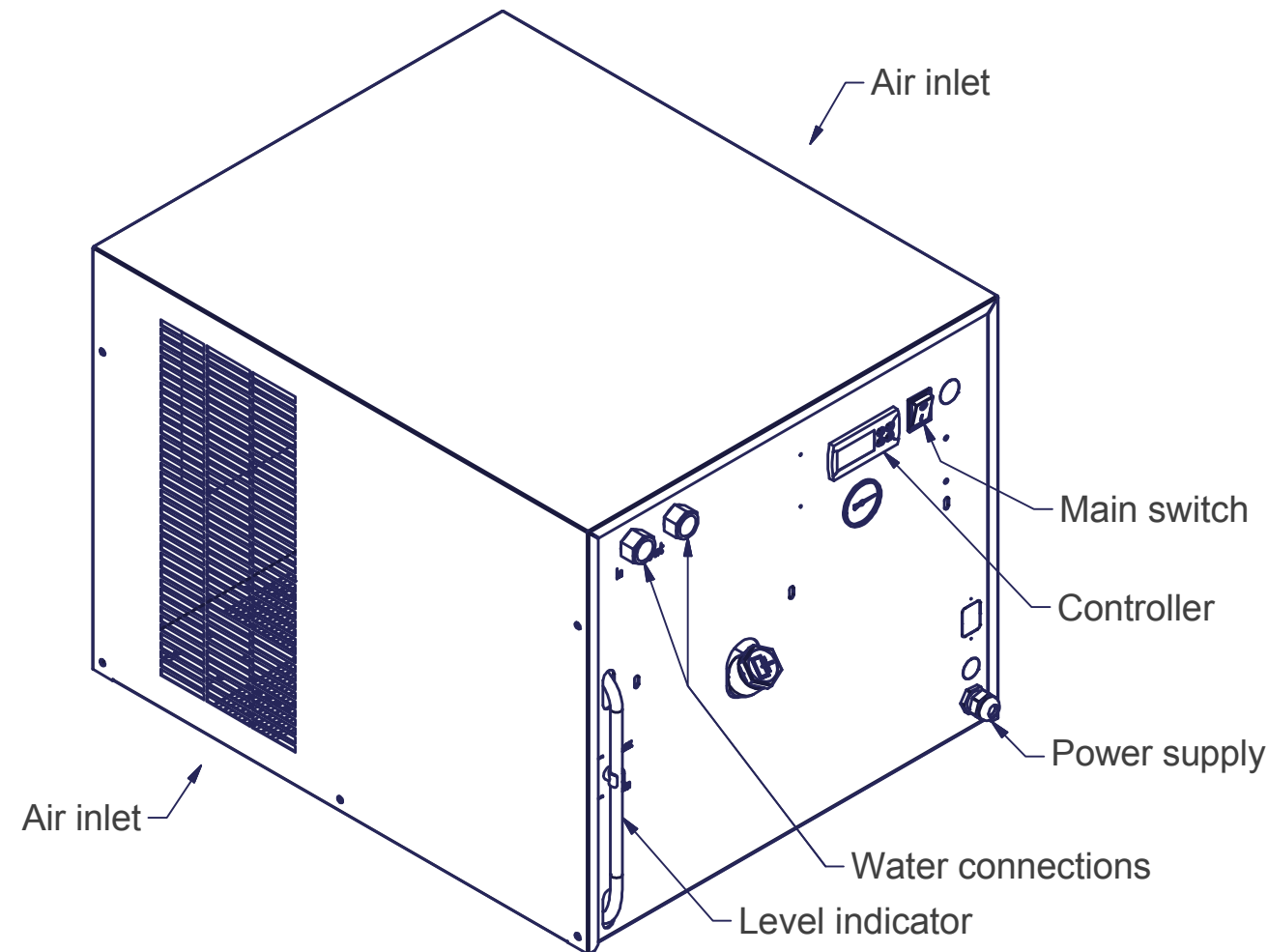
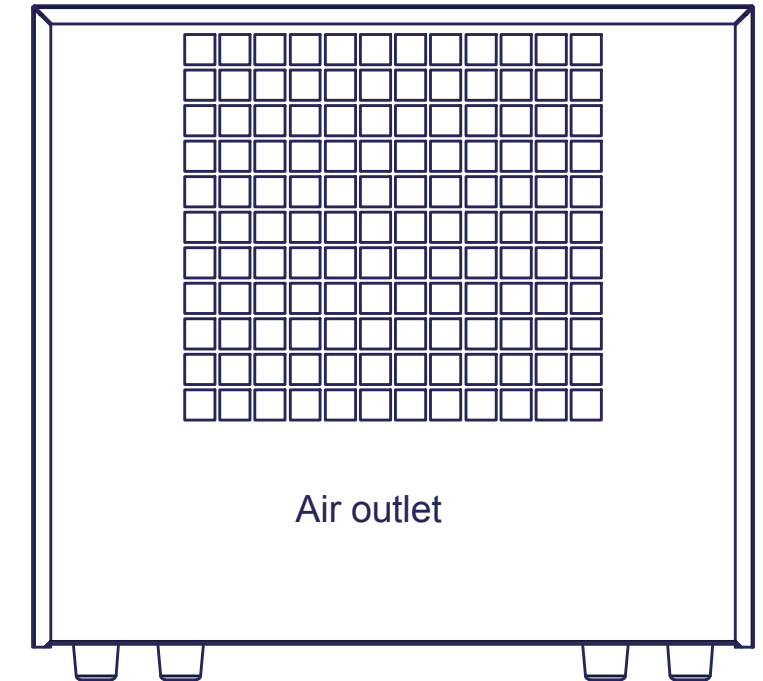
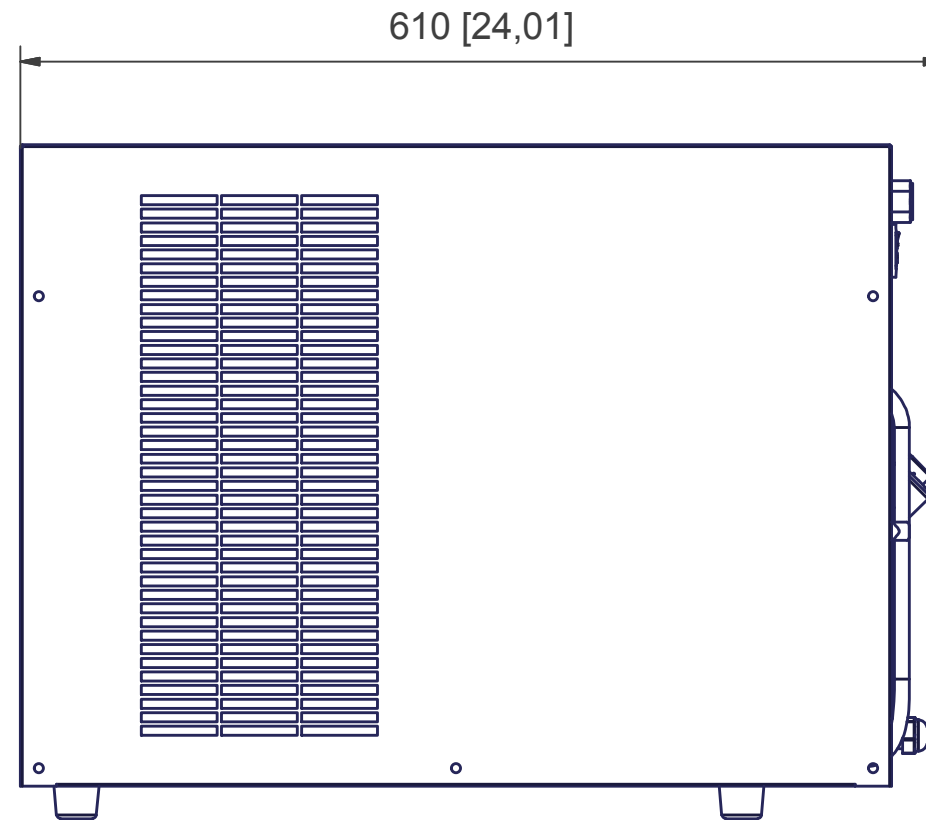
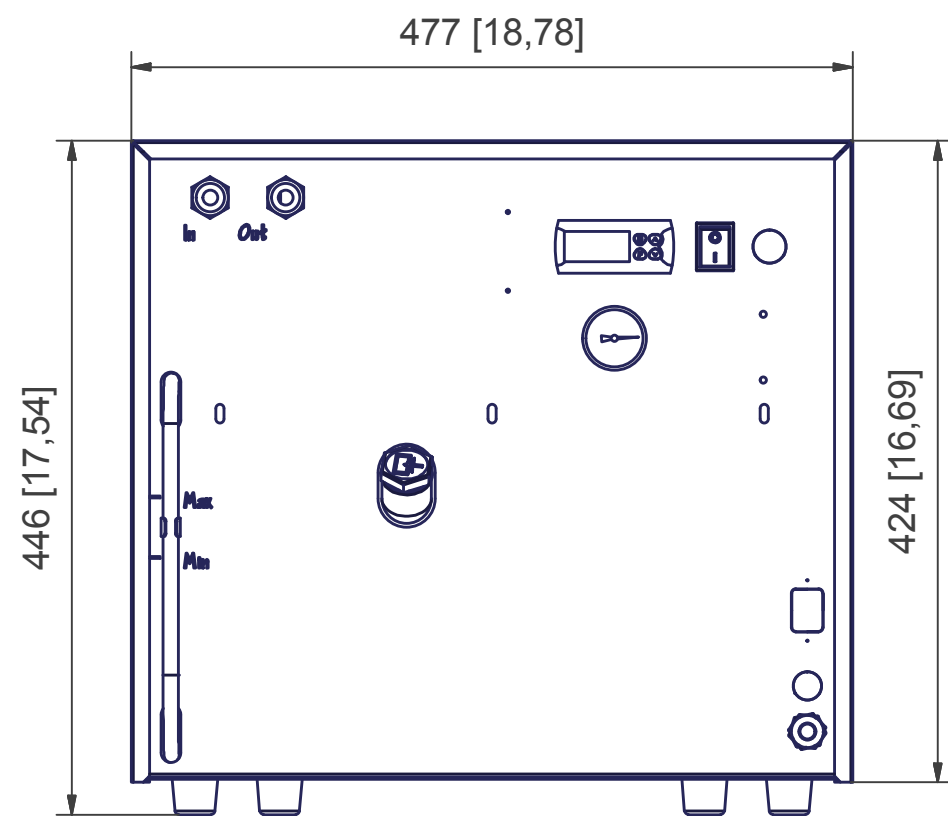
Option:
Cooling system
for Pellets < 45°C




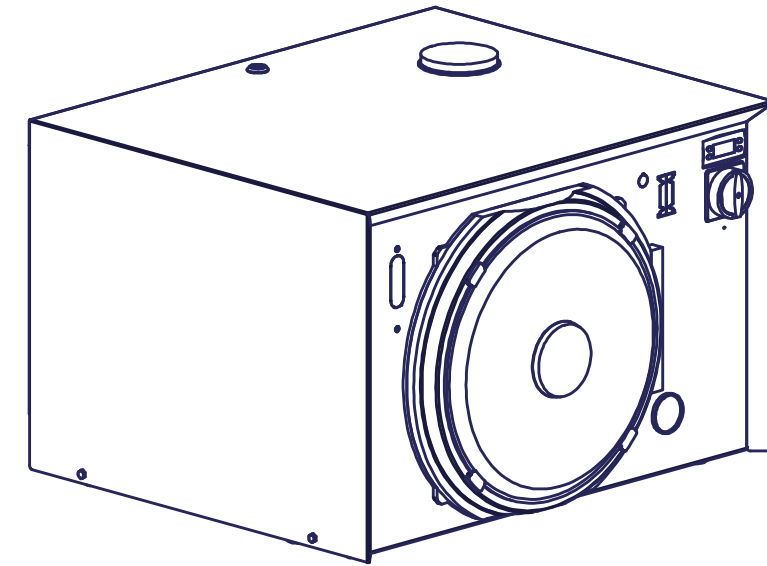
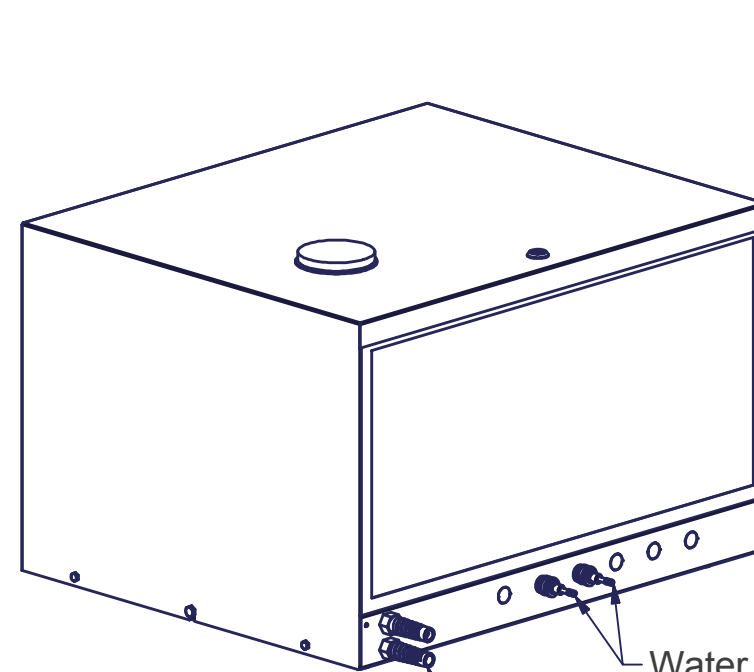
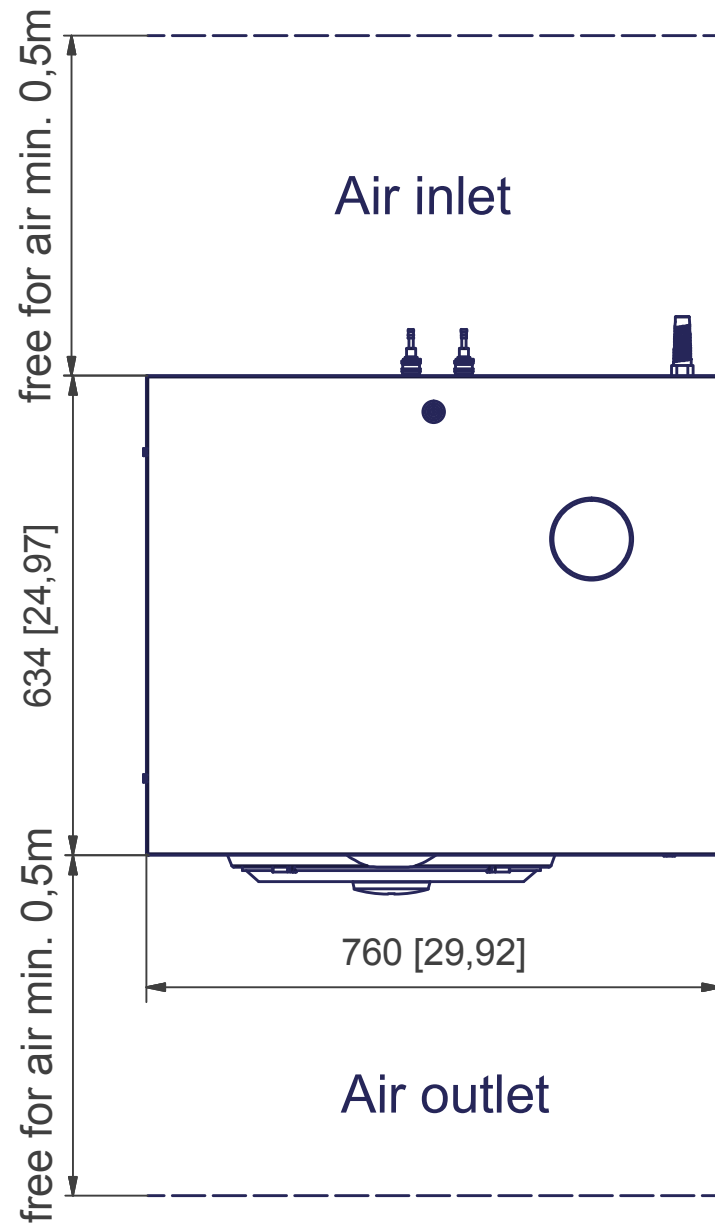
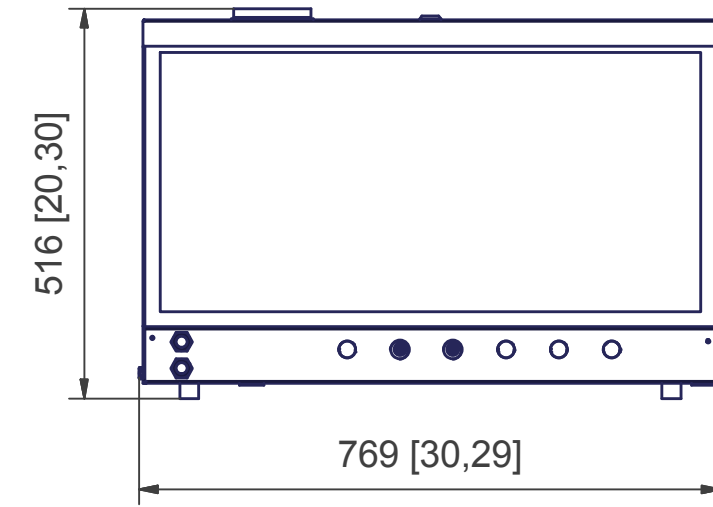
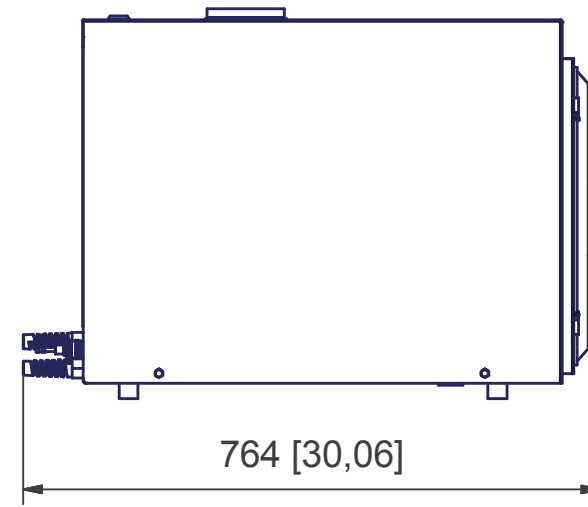
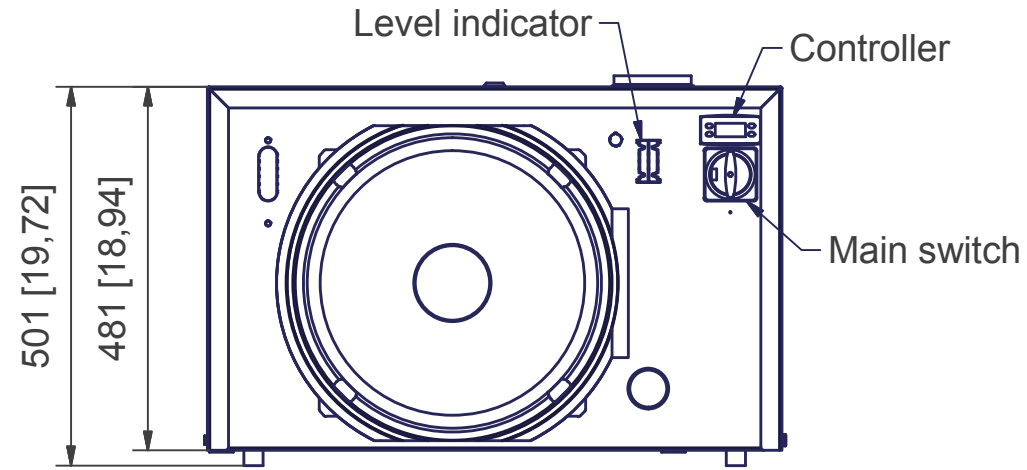
* Air: Connection with G 3/4" outside thread
Water: all fittings and hoses are delivered by sikora
** Connections for customer

Identnummer / Part no.		Allgemeintoleranzen General tolerances ISO 2768-v L		Maßstab / Scale 1:10, 1:5		Gewicht / Weight 375 kg	
		Date 03.03.2016		Name N.Bothmann		Benennung / Title PURITY SCANNER Temperatur <45°C and >45°C	
		Checked		Approved		Zeichnungsnummer / Dwg no. GS01	
		Rev		Modification		Date	
		Name		File GS01 PURITY SCANNER_1.3.idw		Blatt / Sheet 1 / 3 Original size DINA2	







Identnummer / Part no.		Allgemeintoleranzen General tolerances		Maßstab / Scale 1:5		Gewicht / Weighth 32 kg			
		ISO 2768-v L							
		Date	Name			Benennung / Title Kühlwasser-Rückkühler Chiller for Pellets <45°C with X-RAY			
		Drawn	03.03.2016 N.Bothmann						
		Checked							
		Approved		Zeichnungsnummer / Dwg no. GS01			Blatt / Sheet 2 / 3		
SIKORA Technology To Perfection SIKORA AG Bruchweide 2 28307 Bremen Germany							Original size DIN A3		



Power supply
 2,6kW max.
 11A max.
 16A
 230V/50Hz

Identnummer / Part no.		Allgemeintoleranzen General tolerances		Maßstab / Scale 1:10		Gewicht / Weighth 90 kg	
		ISO 2768-v L				Benennung / Title Wasserrückkühler Chiller vor Pellets >45°C	
	Date	Name					
	Drawn 03.03.2016	N.Bothmann					
	Checked			Zeichnungsnummer / Dwg no. GS01		Blatt / Sheet 3 / 3 Original size DIN A3	
	Approved						
		 SIKORA Technology To Perfection SIKORA AG Bruchweide 2 28307 Bremen Germany					
Rev	Modification			Date	Name	File GS01 PURITY SCANNER_1.3.idw	