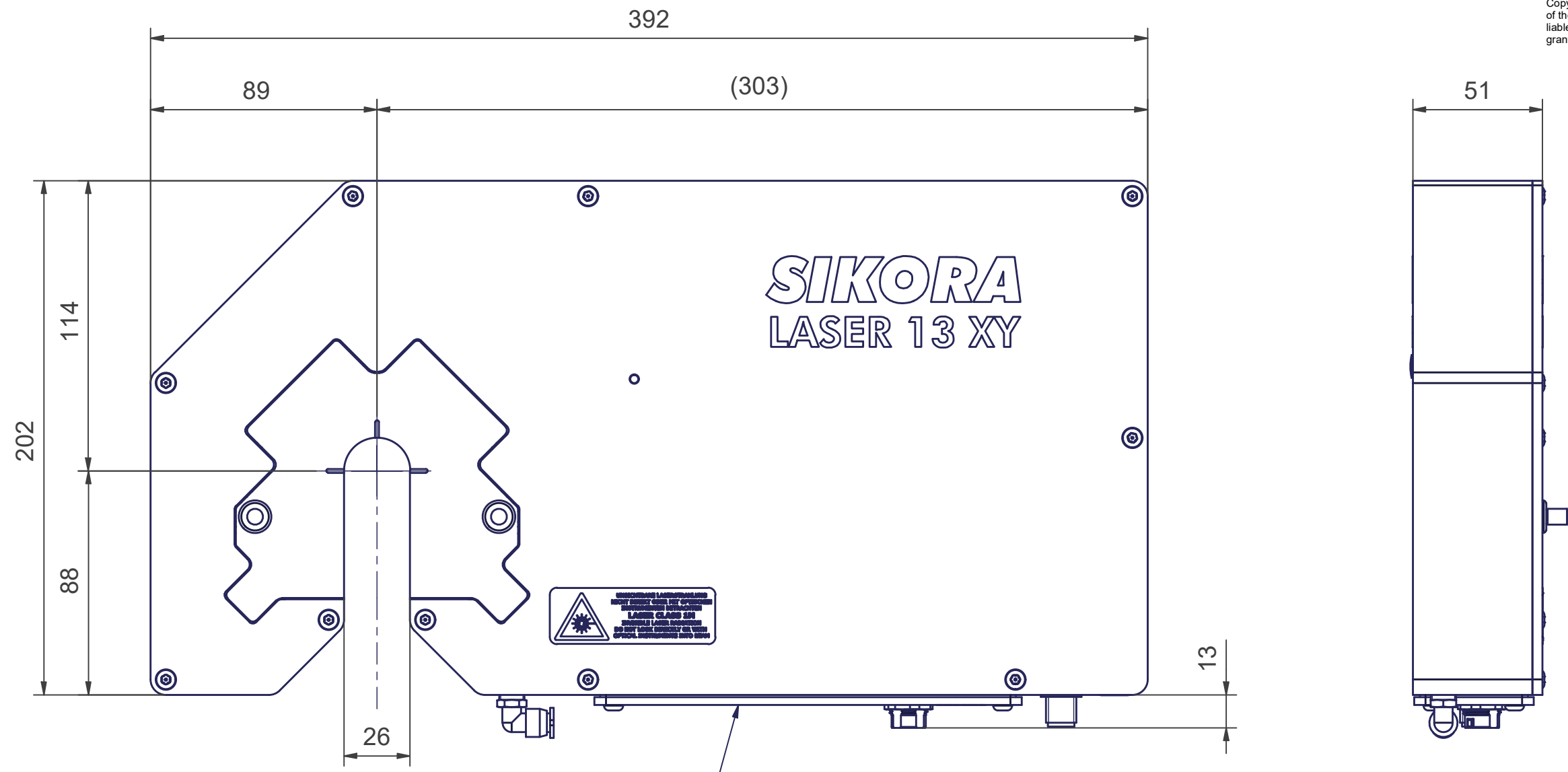
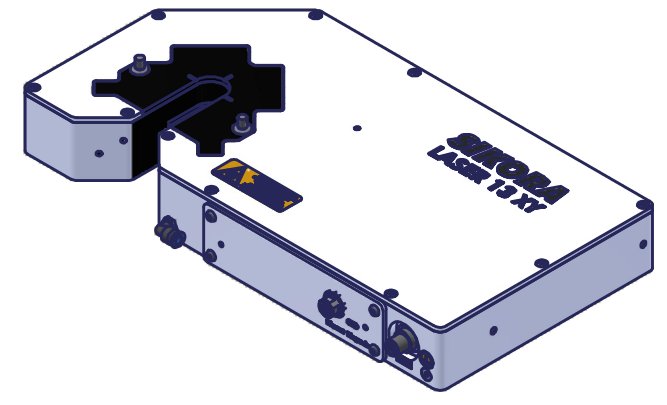


Copying of this document and giving it to others and the use or communication of the contents thereof, are forbidden without express authority. Offenders are liable to the payment of damages. All rights are reserved in the event of the grant of a patent or the registration of a utility model or design.

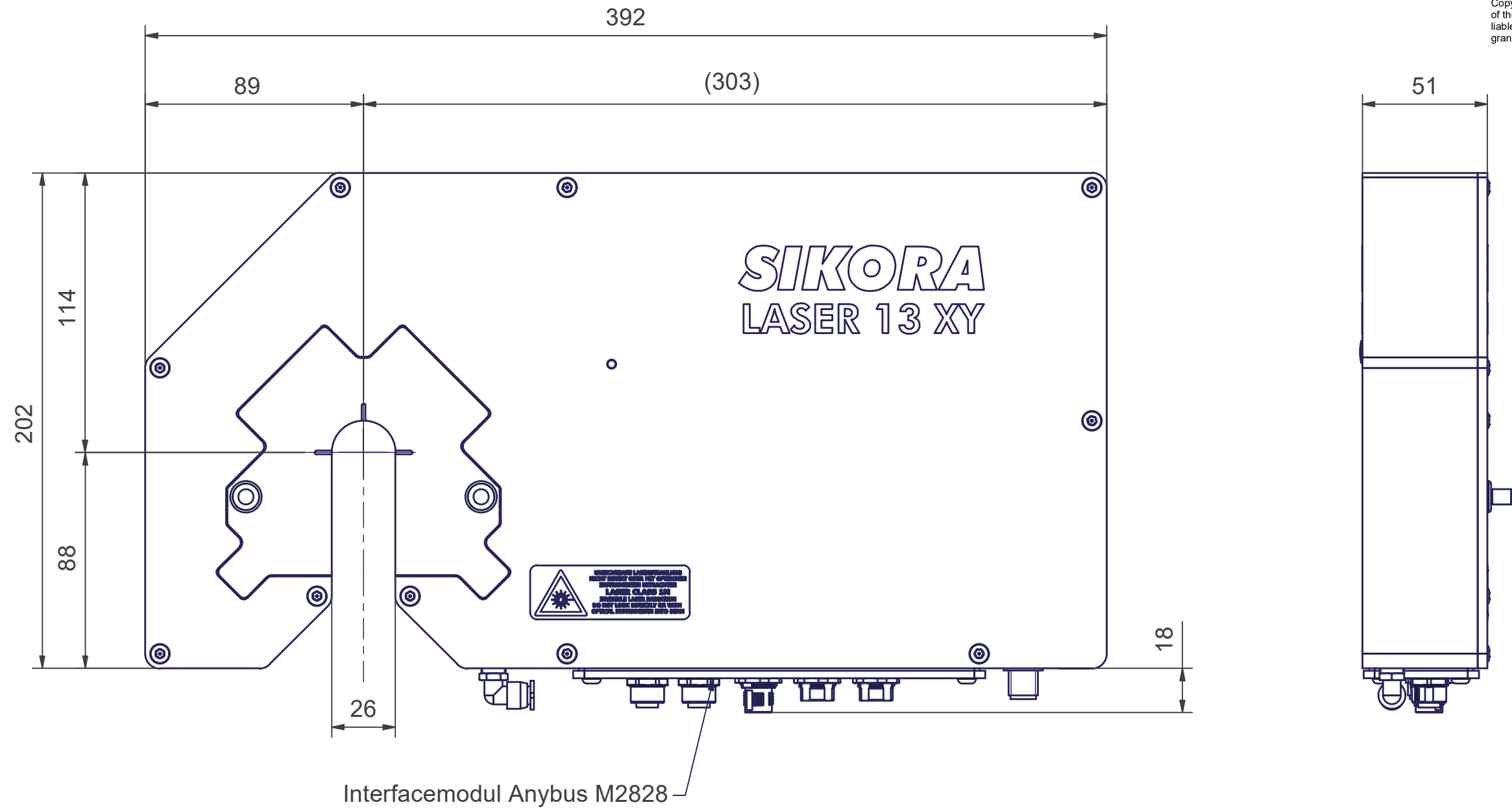


Interfacemodul M2829

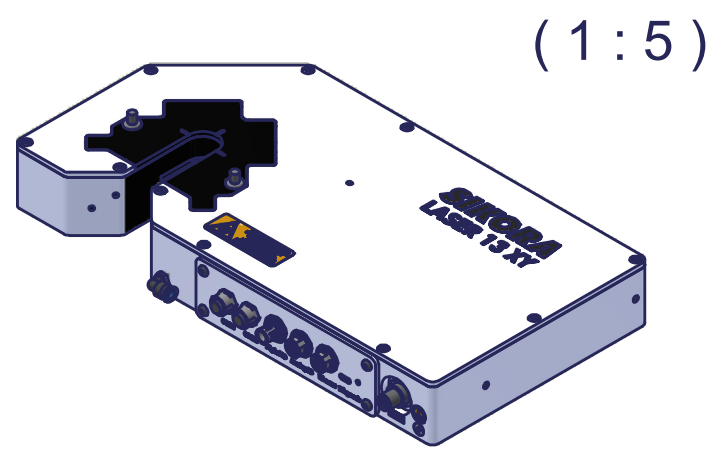


Identnummer / Part no.		Allgemeintoleranzen General tolerances		Maßstab / Scale 1 : 2		Gewicht / Weighth	
		ISO 2768-m K				Benennung / Title <b>LASER 13 XY</b> <i>measuring device</i>	
		Date	Name				
		Drawn	19.03.2024 mkoester				
		Checked	03.04.2024 mkoester				
		Approved		Zeichnungsnummer / Dwg no. <b>GW01-131803</b>		Revision Blatt / Sheet <b>1 / 4</b> Original size DIN A3	
		<b>SIKORA</b> Technology To Perfection SIKORA AG Bruchweide 2 28307 Bremen Germany					
Rev	Modification	Date	Name				
		File 131803.idw				Rev.: -	

Copying of this document and giving it to others and the use or communication of the contents thereof, are forbidden without express authority. Offenders are liable to the payment of damages. All rights are reserved in the event of the grant of a patent or the registration of a utility model or design.



Interfacemodul Anybus M2828

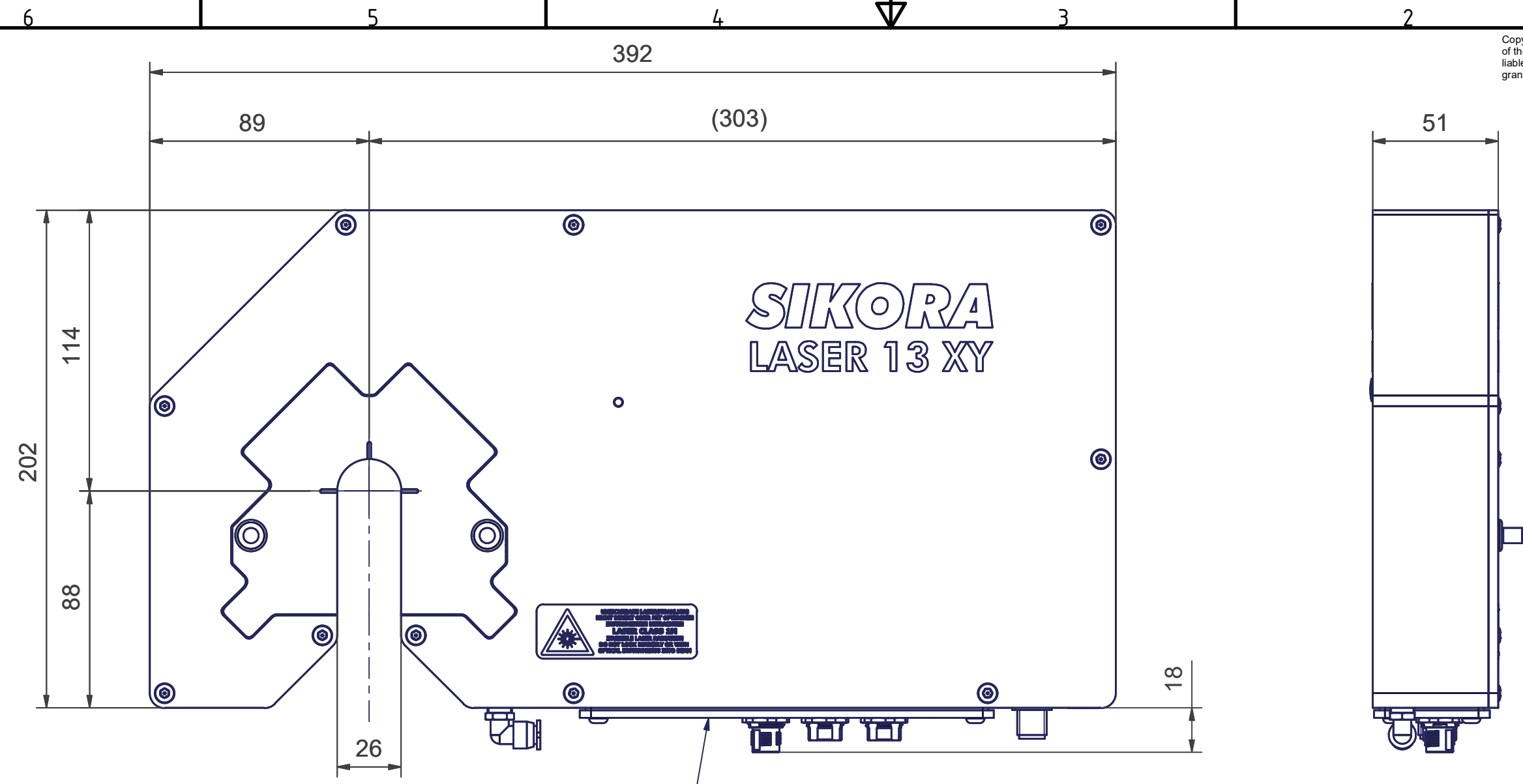


( 1 : 5 )

Identnummer / Part no.		Allgemeintoleranzen General tolerances		Maßstab / Scale 1 : 2		Gewicht / Weighth	
		ISO 2768-m K				Benennung / Title <b>LASER 13 XY</b> <i>measuring device</i>	
	Date	Name					
	Drawn	19.03.2024 mkoester					
	Checked	03.04.2024 mkoester					
	Approved			Zeichnungsnummer / Dwg no. <b>GW01-131803</b>		Revision	
						Blatt / Sheet	
						Original size <b>2 / 4</b> DIN A3	
Rev	Modification	Date	Name	SIKORA AG Bruchweide 2 28307 Bremen Germany File 131803.idw		Rev.: -	

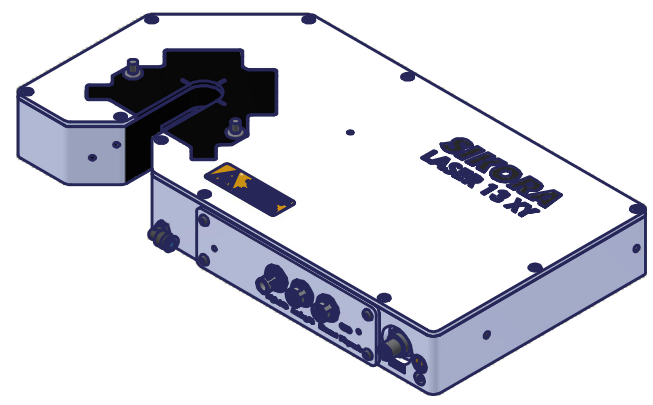
6 5 4 3 2 1



Copying of this document and giving it to others and the use or communication of the contents thereof, are forbidden without express authority. Offenders are liable to the payment of damages. All rights are reserved in the event of the grant of a patent or the registration of a utility model or design.

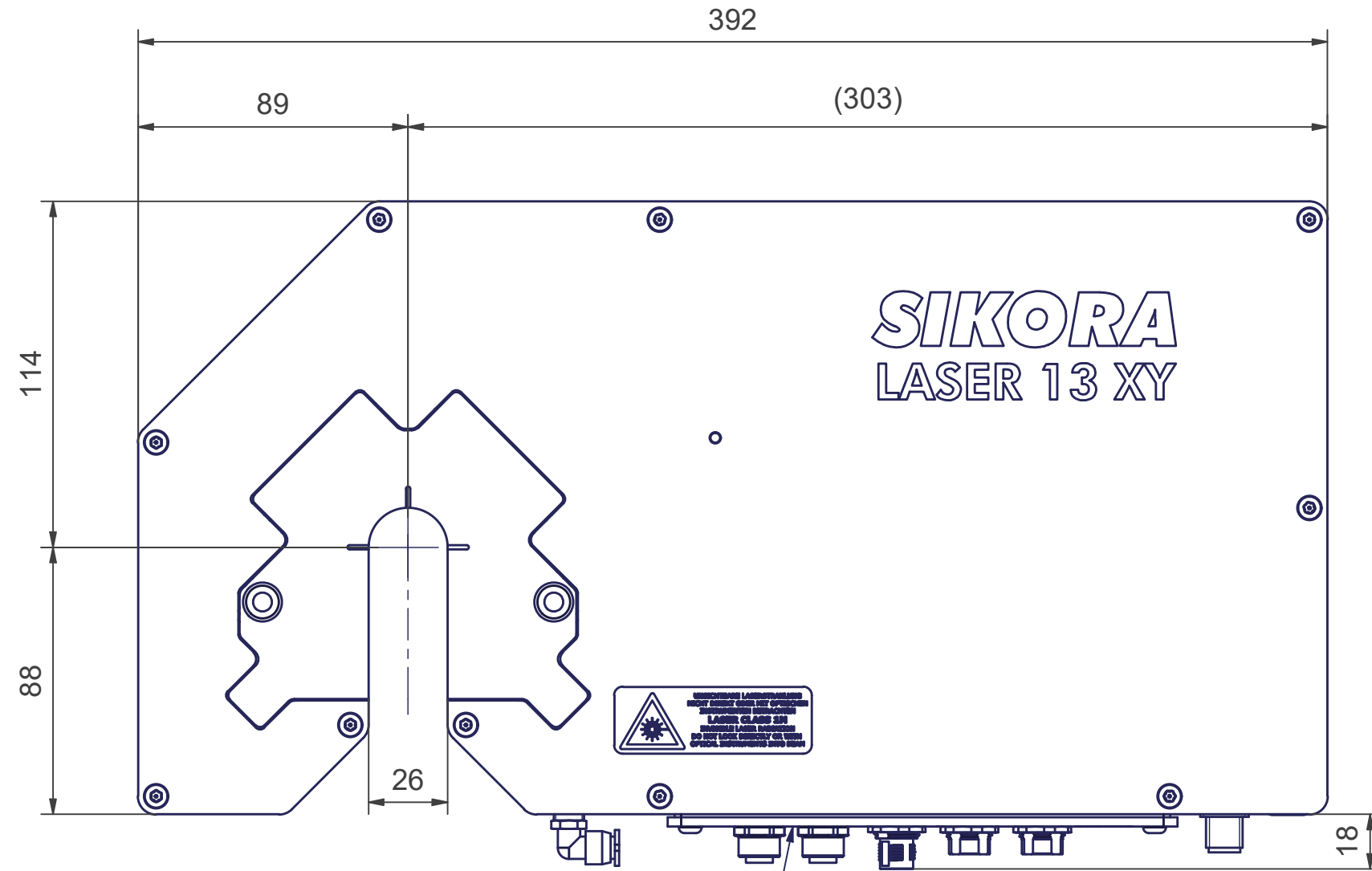


Interfacemodul Analog/Digital M3281

( 1 : 5 )

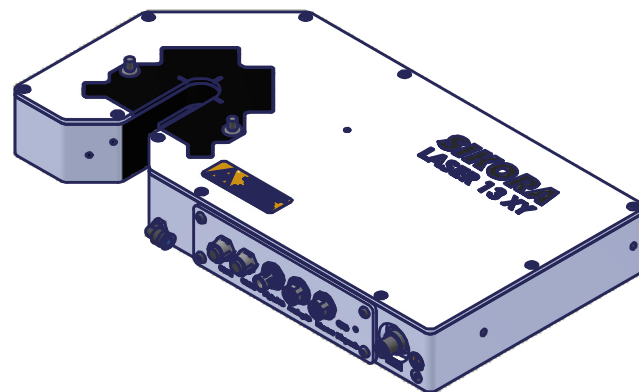




Identnummer / Part no.		Allgemeintoleranzen General tolerances		Maßstab / Scale 1 : 2		Gewicht / Weighth	
		ISO 2768-m K				Benennung / Title <b>LASER 13 XY</b> <i>measuring device</i>	
		Date	Name				
		Drawn	19.03.2024 mkoester				
		Checked	03.04.2024 mkoester				
		Approved					
				 <b>SIKORA</b> Technology To Perfection SIKORA AG Bruchweide 2 28307 Bremen Germany		Zeichnungsnummer / Dwg no. <b>GW01-131803</b>	
Rev	Modification	Date	Name	File 131803.idw		Revision	Blatt / Sheet <b>3 / 4</b> Original size DINA3



Interfacemodul Profibus/DeviceNet M100869

(1:5)



Identnummer / Part no.		Allgemeintoleranzen General tolerances		Maßstab / Scale 1 : 2		Gewicht / Weighth	
		ISO 2768-m K				Benennung / Title <b>LASER 13 XY</b> <i>measuring device</i>	
	Date	Name					
	Drawn 19.03.2024	mkoester					
	Checked 03.04.2024	mkoester					
	Approved			Zeichnungsnummer / Dwg no. <b>GW01-131803</b>		Revision	Blatt / Sheet
		 <b>SIKORA</b> Technology To Perfection SIKORA AG Bruchweide 2 28307 Bremen Germany					<b>4 / 4</b>
Rev	Modification	Date	Name	File 131803.idw		Rev.: -	Original size DINA3