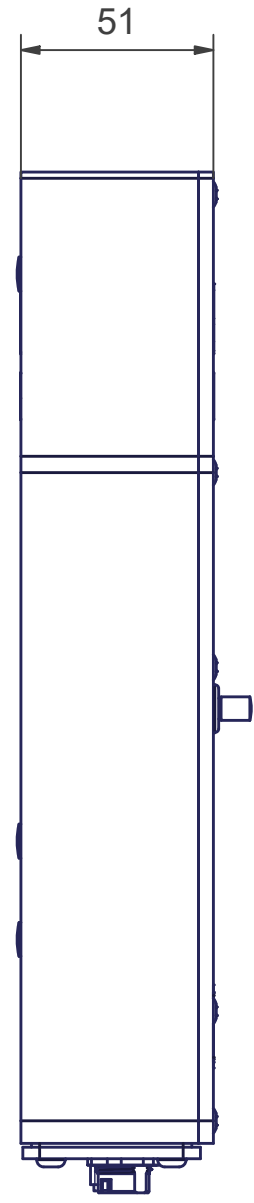
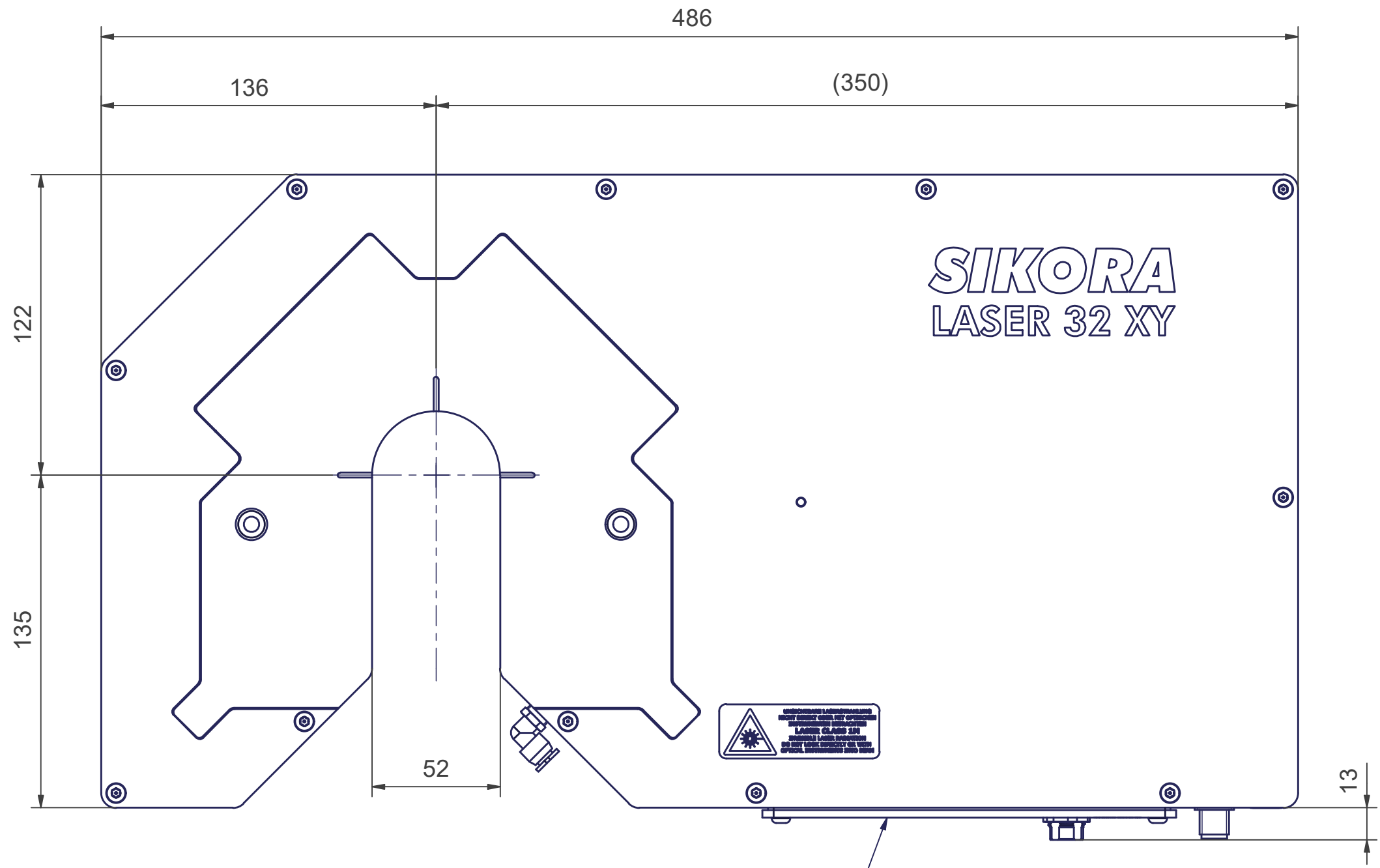
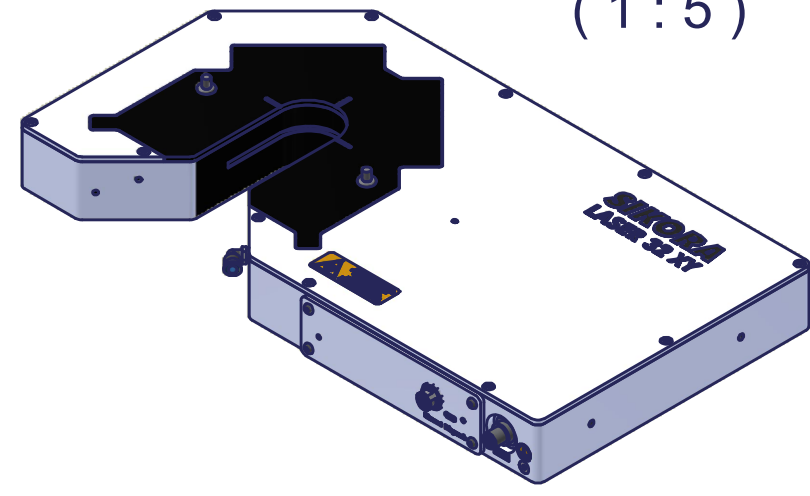



Copying of this document and giving it to others and the use or communication of the contents thereof, are forbidden without express authority. Offenders are liable to the payment of damages. All rights are reserved in the event of the grant of a patent or the registration of a utility model or design.



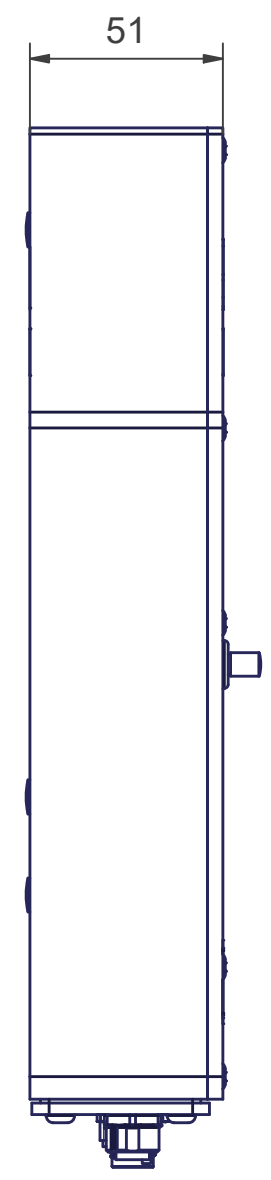
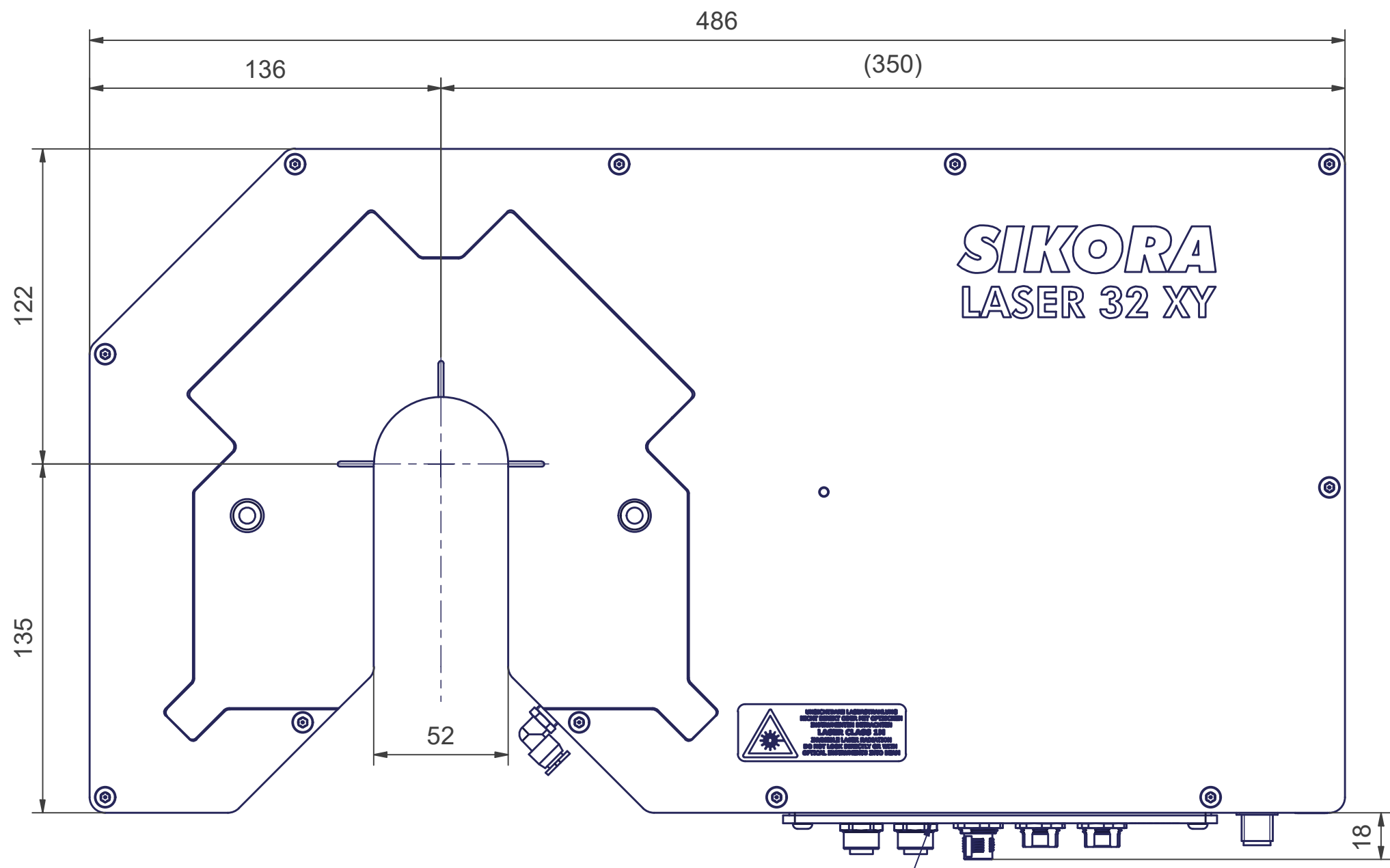
Interfacemodul M2829

(1:5)

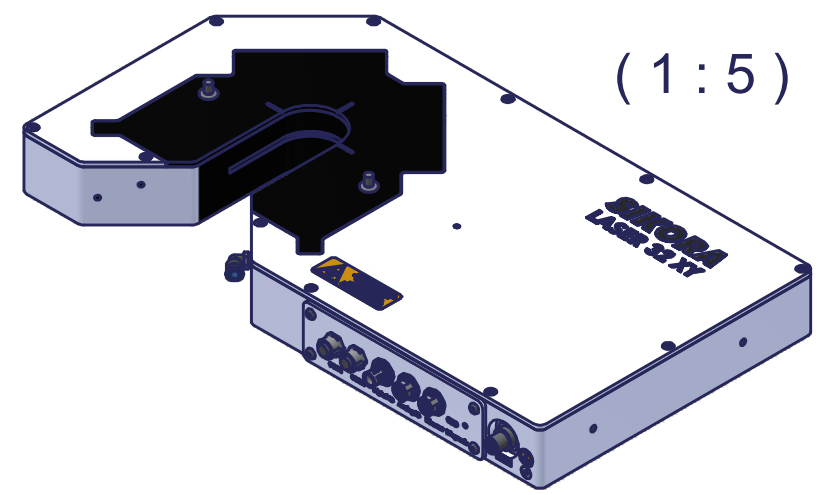



Identnummer / Part no.		Allgemeintoleranzen General tolerances		Maßstab / Scale 1 : 2		Gewicht / Weigth	
		ISO 2768-m K				Benennung / Title <b>LASER 32 XY</b> <i>measuring device</i>	
	Date	Name					
	Drawn	21.03.2024	mkoester				
	Checked	03.04.2024	mkoester				
	Approved			Zeichnungsnummer / Dwg no. <b>HH01-131878</b>		Revision	Blatt / Sheet
Rev	Modification	Date	Name				1 / 4
				<b>SIKORA</b> Technology To Perfection SIKORA AG Bruchweide 2 28307 Bremen Germany		Original size	DINA3
				File 131878.idw		Rev.: -	

Copying of this document and giving it to others and the use or communication of the contents thereof, are forbidden without express authority. Offenders are liable to the payment of damages. All rights are reserved in the event of the grant of a patent or the registration of a utility model or design.

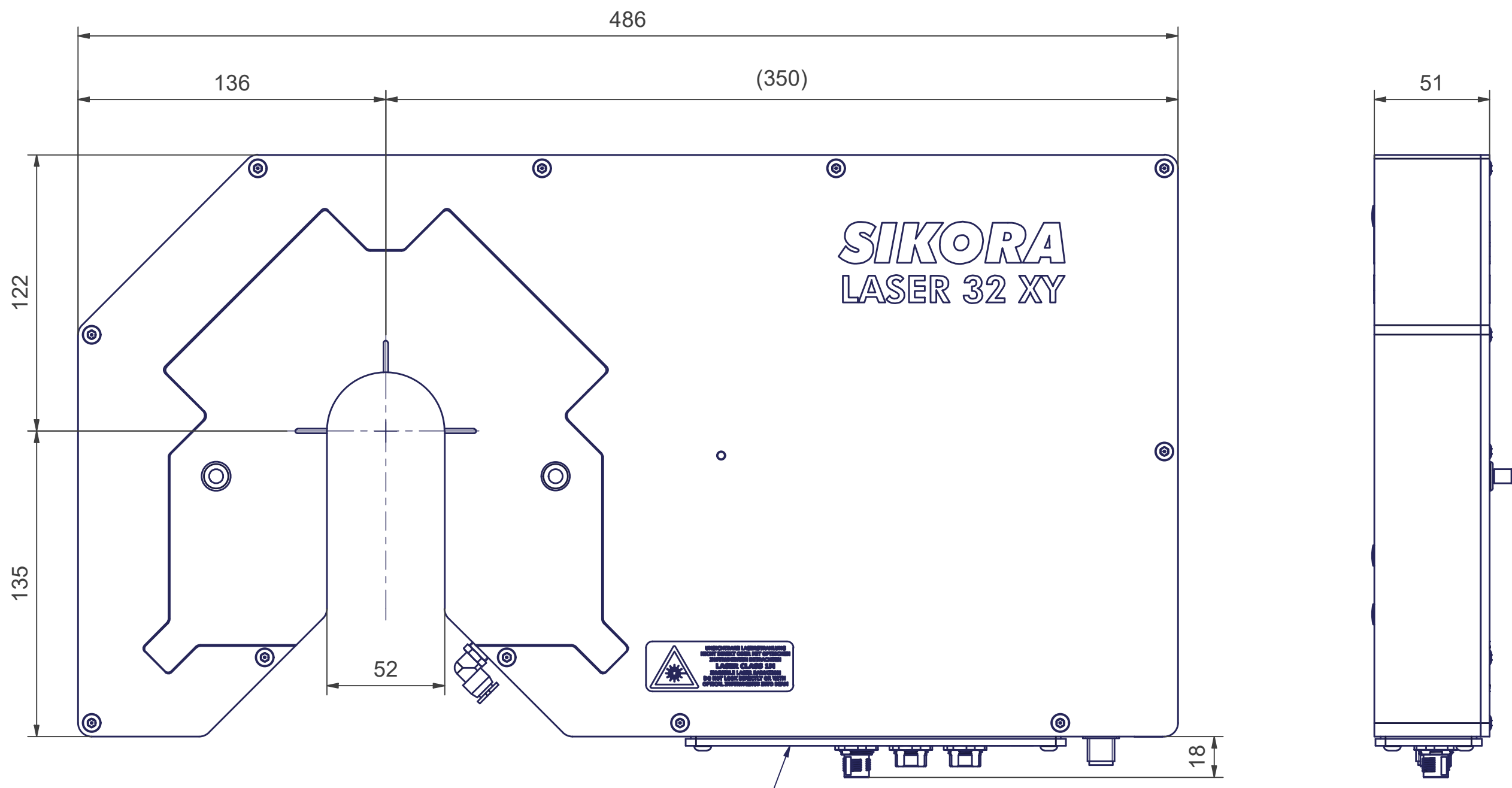


Interfacemodul Anybus M2828

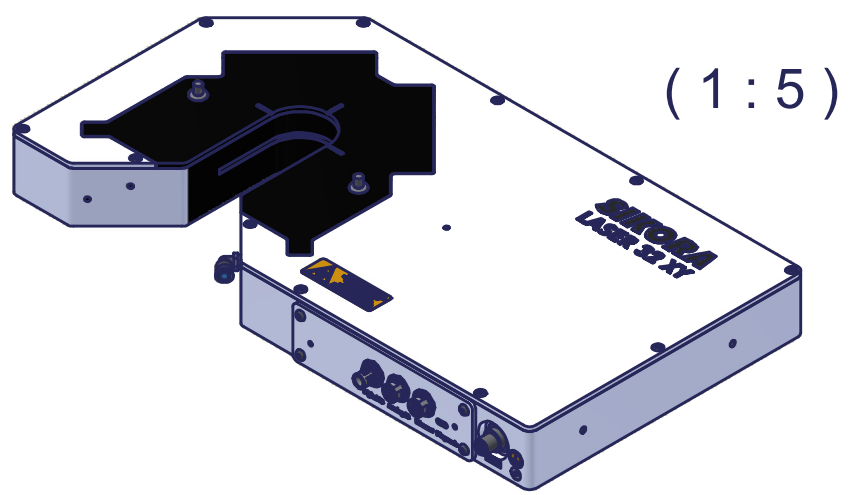




Identnummer / Part no.		Allgemeintoleranzen General tolerances		Maßstab / Scale 1 : 2		Gewicht / Weigth	
		ISO 2768-m K				Benennung / Title <b>LASER 32 XY</b> <i>measuring device</i>	
	Date	Name					
	Drawn	21.03.2024	mkoester				
	Checked	03.04.2024	mkoester				
	Approved			Zeichnungsnummer / Dwg no. <b>HH01-131878</b>		Revision	Blatt / Sheet
Rev	Modification	Date	Name				2 / 4
				<b>SIKORA</b> Technology To Perfection SIKORA AG Bruchweide 2 28307 Bremen Germany		Rev.: -	Original size DINA3
				File 131878.idw			

Copying of this document and giving it to others and the use or communication of the contents thereof, are forbidden without express authority. Offenders are liable to the payment of damages. All rights are reserved in the event of the grant of a patent or the registration of a utility model or design.

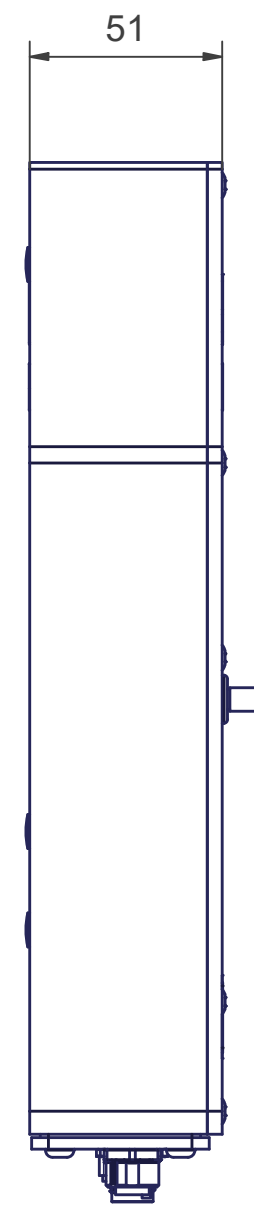
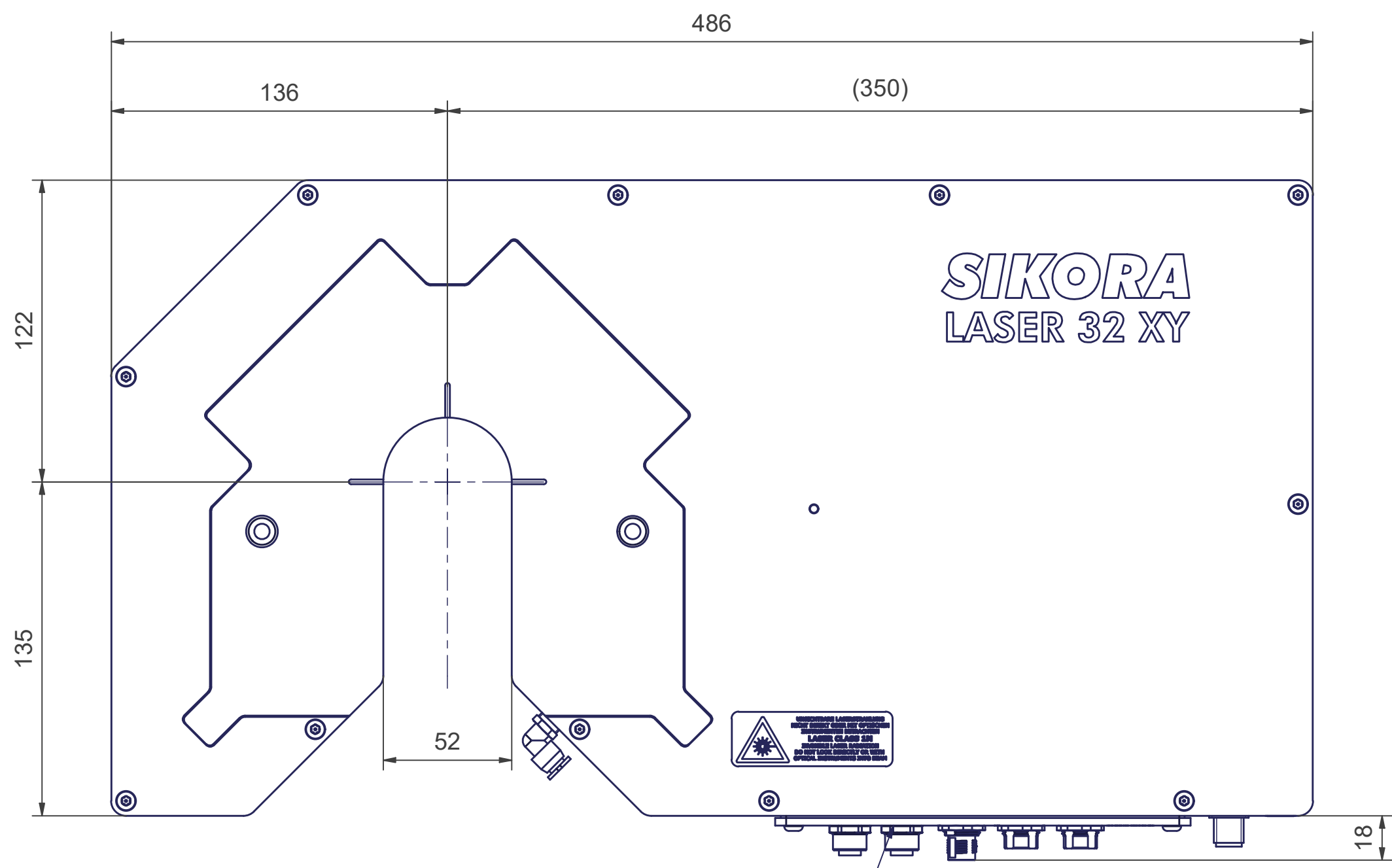


Interfacemodul Analog/Digital M3281

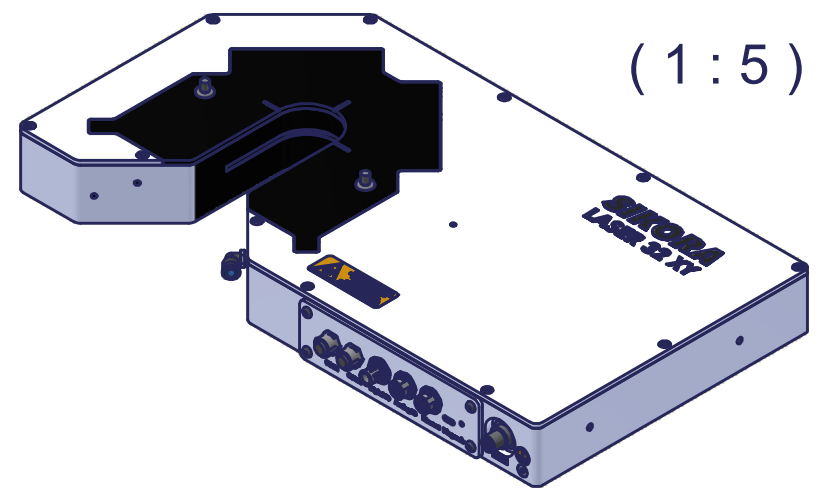




Identnummer / Part no.		Allgemeintoleranzen General tolerances		Maßstab / Scale 1 : 2		Gewicht / Weigth	
		ISO 2768-m K				Benennung / Title <b>LASER 32 XY</b> <i>measuring device</i>	
	Date	Name					
	Drawn	21.03.2024 mkoester					
	Checked	03.04.2024 mkoester					
	Approved			Zeichnungsnummer / Dwg no. <b>HH01-131878</b>		Revision	
 SIKORA AG Bruchweide 2 28307 Bremen Germany		Blatt / Sheet					
		3 / 4					
Rev	Modification	Date	Name	File 131878.idw		Original size DINA3	

Copying of this document and giving it to others and the use or communication of the contents thereof, are forbidden without express authority. Offenders are liable to the payment of damages. All rights are reserved in the event of the grant of a patent or the registration of a utility model or design.



Interfacemodul Profibus/DeviceNet M100869



Identnummer / Part no.		Allgemeintoleranzen General tolerances		Maßstab / Scale 1 : 2		Gewicht / Weighth	
		ISO 2768-m K				Benennung / Title <b>LASER 32 XY</b> <i>measuring device</i>	
	Date	Name					
	Drawn	21.03.2024	mkoester				
	Checked	03.04.2024	mkoester				
	Approved			Zeichnungsnummer / Dwg no. <b>HH01-131878</b>		Revision	Blatt / Sheet
 SIKORA AG Bruchweide 2 28307 Bremen Germany							<b>4 / 4</b>
		Rev Modification Date Name File 131878.idw				Rev.: -	Original size DINA3