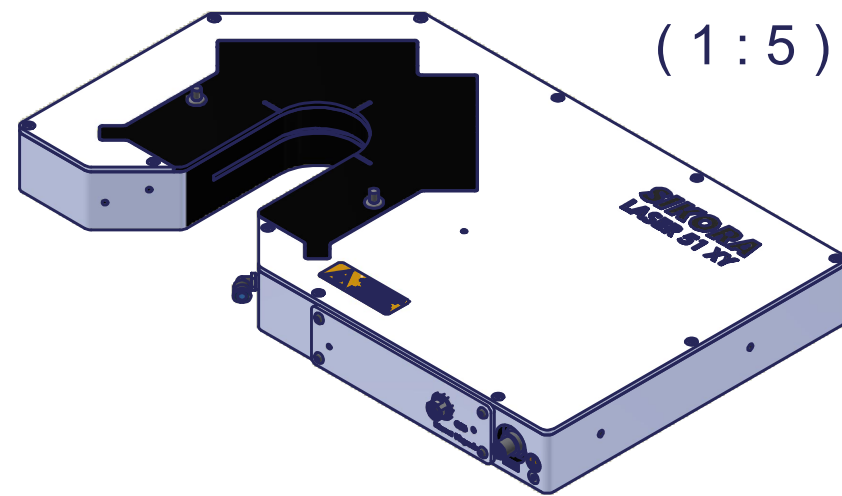
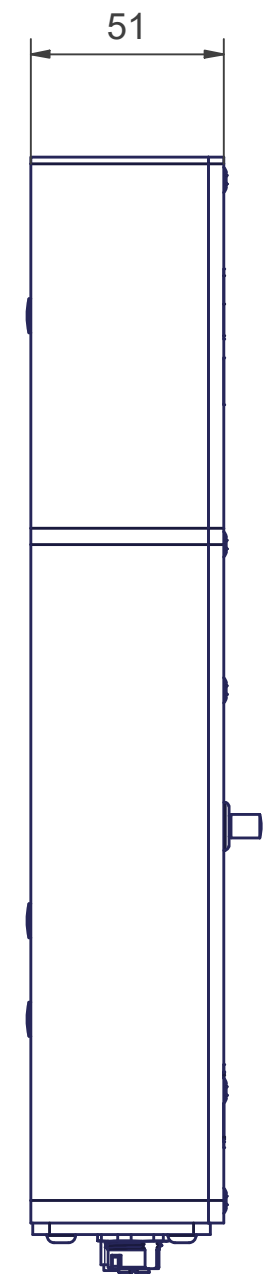
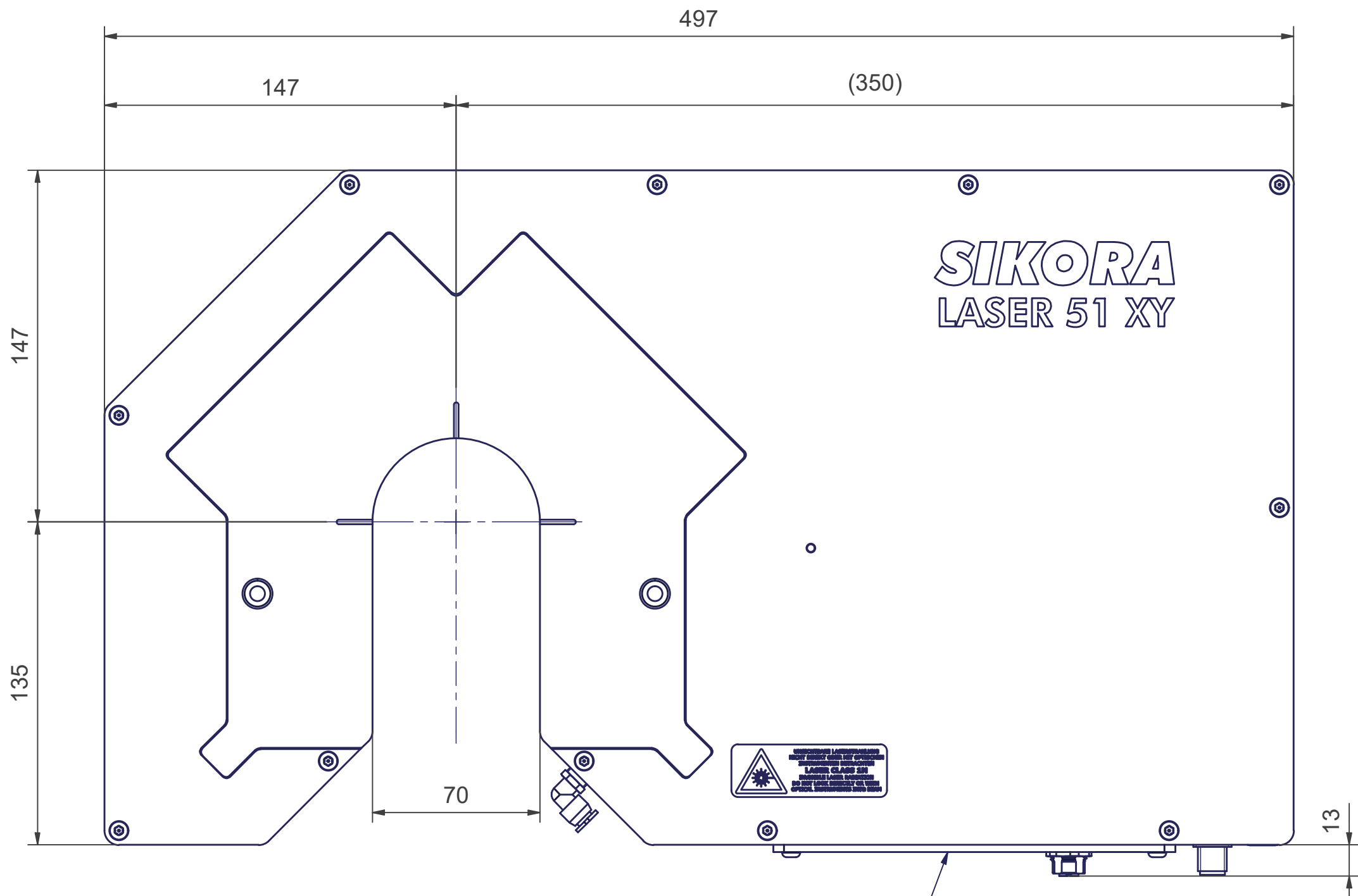


Copying of this document and giving it to others and the use or communication of the contents thereof, are forbidden without express authority. Offenders are liable to the payment of damages. All rights are reserved in the event of the grant of a patent or the registration of a utility model or design.

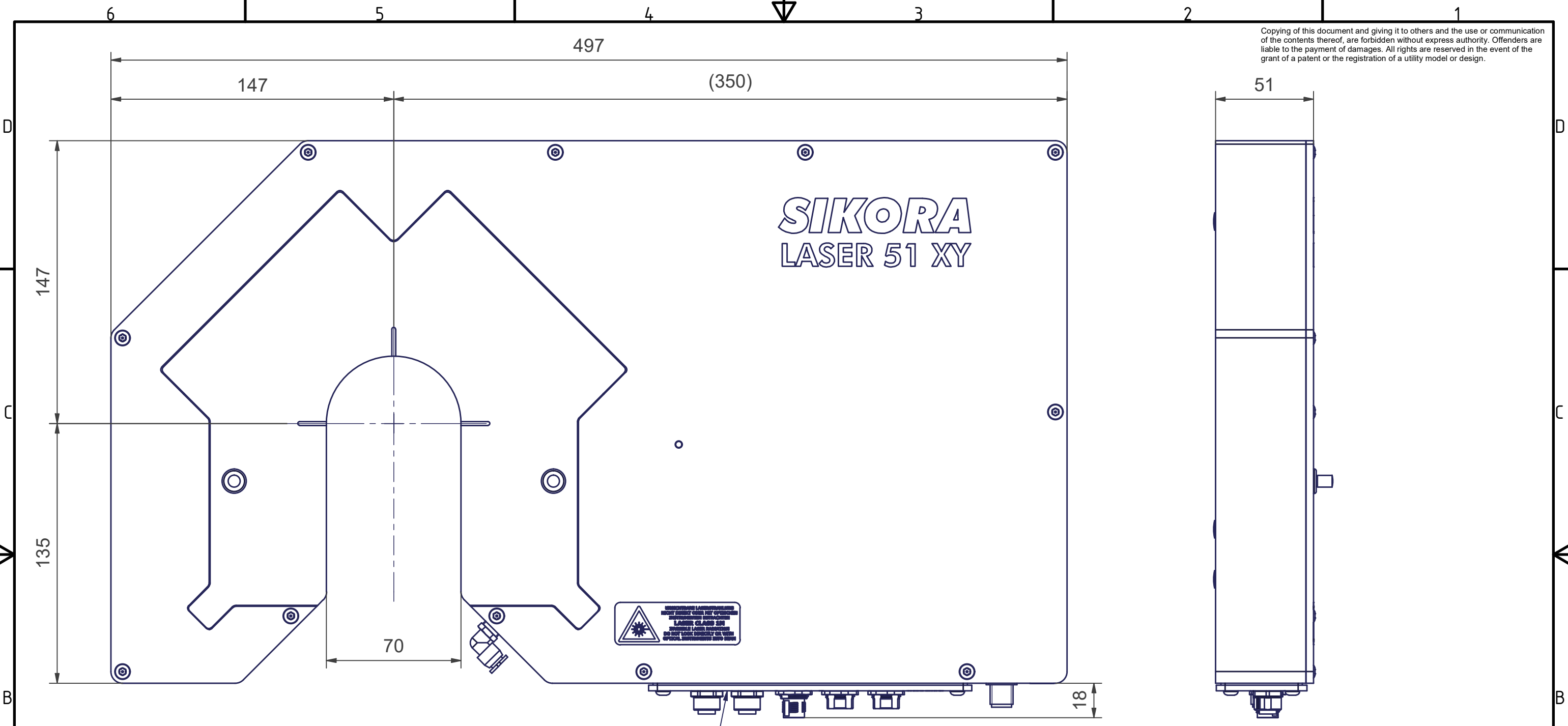


Interfacemodul M2829

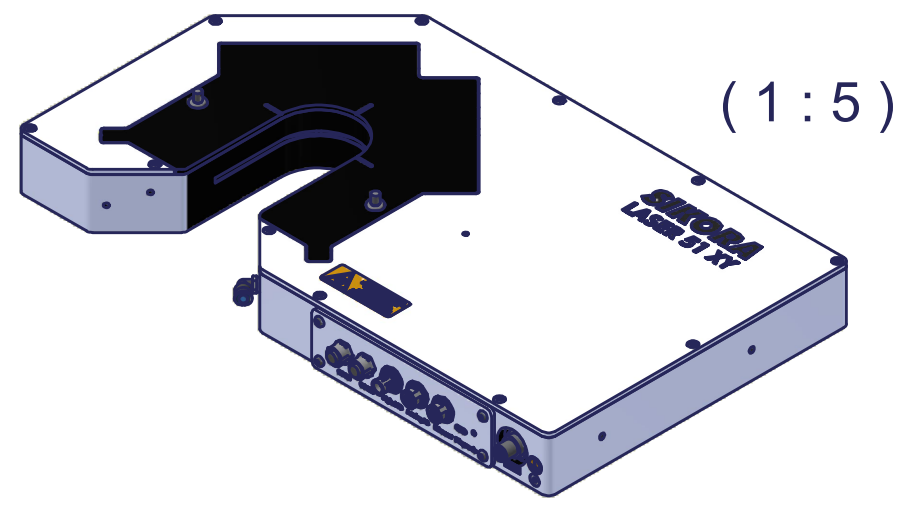
(1:5)

Identnummer / Part no.		Allgemeintoleranzen General tolerances		Maßstab / Scale 1 : 2		Gewicht / Weighth	
		ISO 2768-m K				Benennung / Title LASER 51 XY <i>measuring device</i>	
		Date	Name				
		Drawn	22.03.2024 mkoester				
		Checked	03.04.2024 mkoester				
		Approved		Zeichnungsnummer / Dwg no. HR01-131900		Revision	Blatt / Sheet
Rev	Modification	Date	Name	SIKORA Technology To Perfection SIKORA AG Bruchweide 2 28307 Bremen Germany File 131900.idw		Rev.: -	1 / 4 Original size DIN A3


Copying of this document and giving it to others and the use or communication of the contents thereof, are forbidden without express authority. Offenders are liable to the payment of damages. All rights are reserved in the event of the grant of a patent or the registration of a utility model or design.



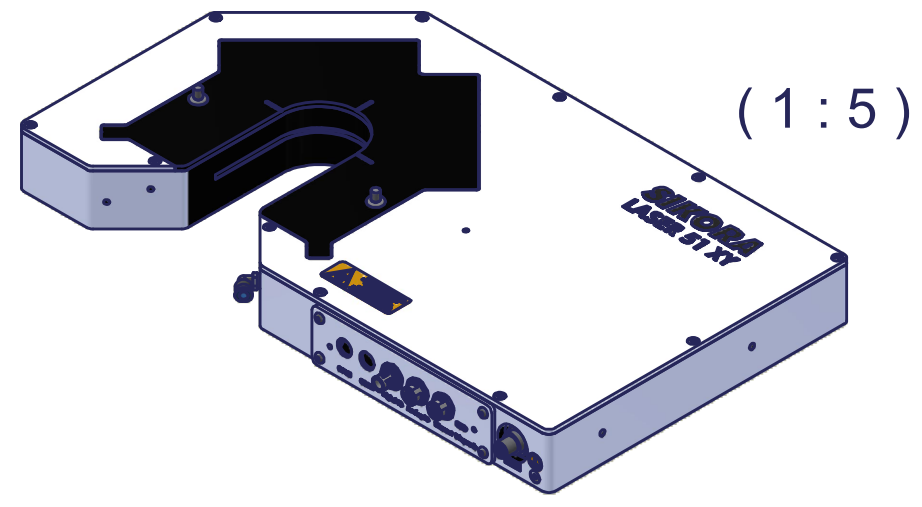
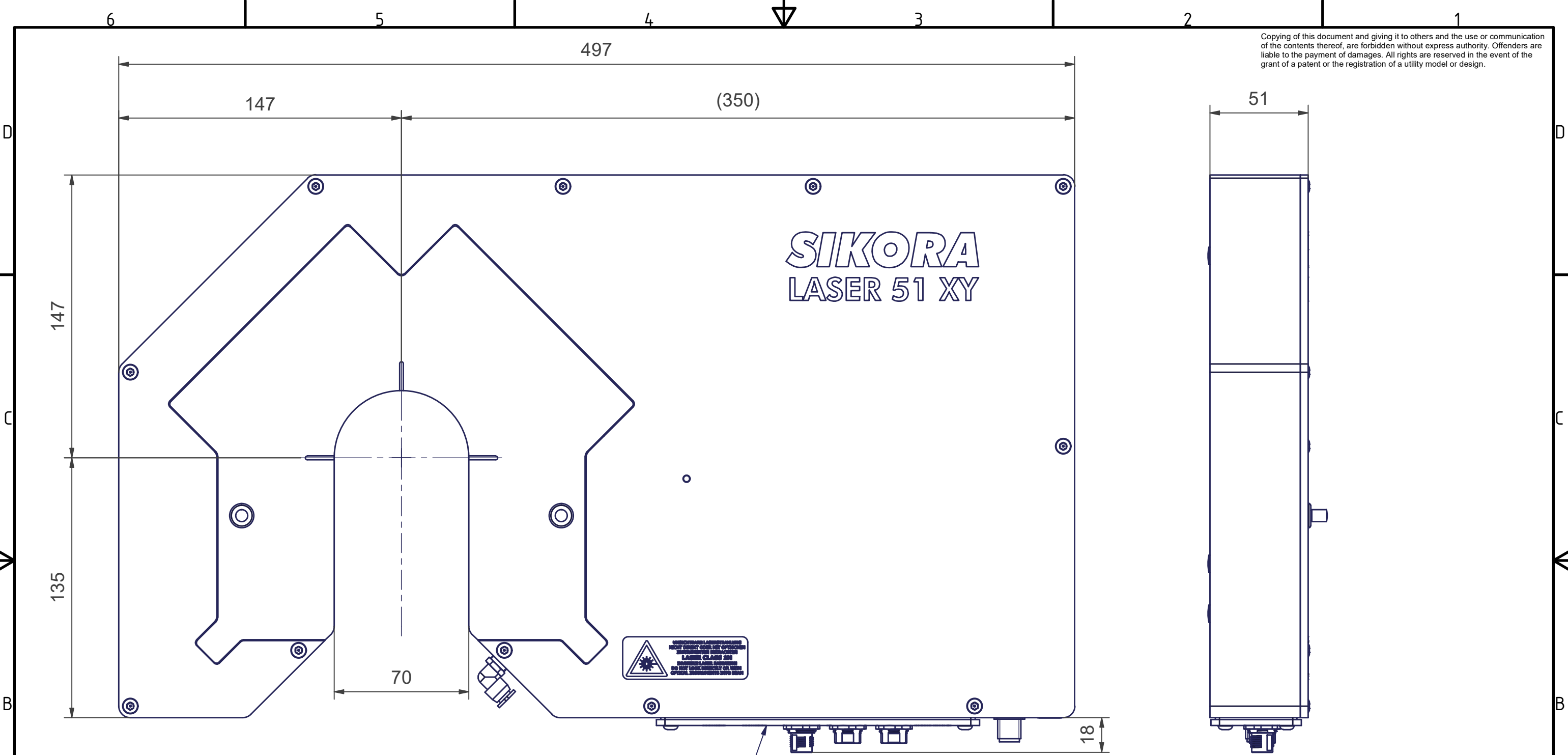
Interfacemodul Anybus M2828




(1 : 5)

Identnummer / Part no.		Allgemeintoleranzen General tolerances		Maßstab / Scale 1 : 2		Gewicht / Weighth			
		ISO 2768-m K				Benennung / Title LASER 51 XY <i>measuring device</i>			
		Date	Name						
		Drawn	22.03.2024 mkoester						
		Checked	03.04.2024 mkoester						
		Approved		SIKORA Technology To Perfection SIKORA AG Bruchweide 2 28307 Bremen Germany		Zeichnungsnummer / Dwg no.			
						HR01-131900		Revision	Blatt / Sheet
Rev	Modification	Date	Name			File 131900.idw		Rev.: -	2 / 4 Original size DINA3

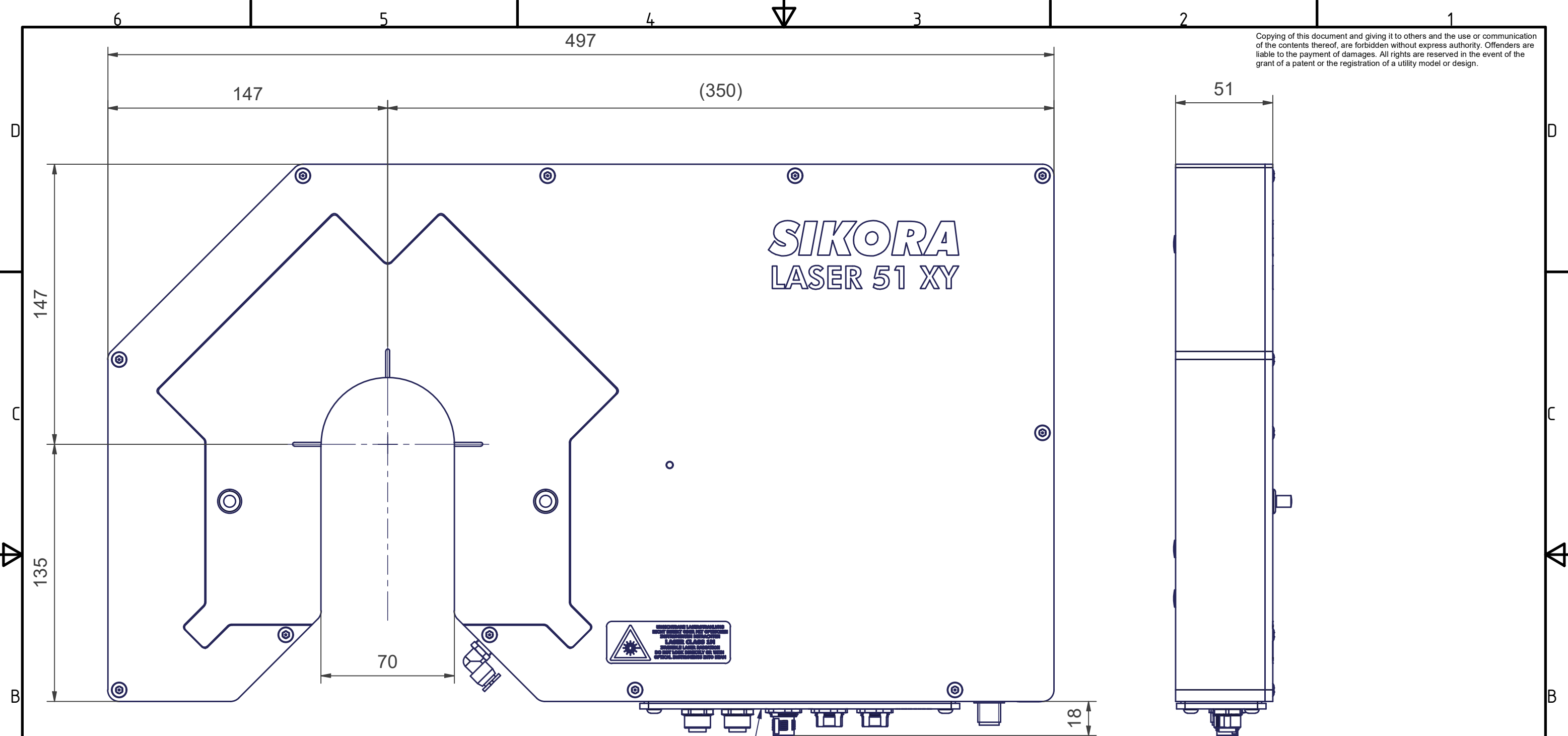
Copying of this document and giving it to others and the use or communication of the contents thereof, are forbidden without express authority. Offenders are liable to the payment of damages. All rights are reserved in the event of the grant of a patent or the registration of a utility model or design.



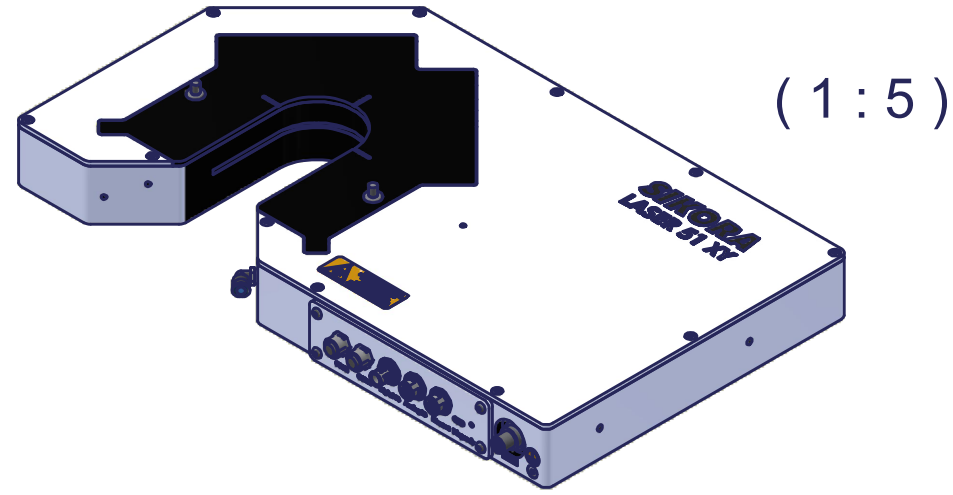
(1:5)


Identnummer / Part no.		Allgemeintoleranzen General tolerances		Maßstab / Scale 1 : 2		Gewicht / Weigth	
		ISO 2768-m K				Benennung / Title LASER 51 XY <i>measuring device</i>	
	Date	Name					
	Drawn	22.03.2024 mkoester					
	Checked	03.04.2024 mkoester					
	Approved			Zeichnungsnummer / Dwg no. HR01-131900		Revision Blatt / Sheet 3 / 4 Original size DIN A3	
SIKORA Technology To Perfection SIKORA AG Bruchweide 2 28307 Bremen Germany		File 131900.idw					
		Rev. -					
Rev	Modification	Date	Name				

Copying of this document and giving it to others and the use or communication of the contents thereof, are forbidden without express authority. Offenders are liable to the payment of damages. All rights are reserved in the event of the grant of a patent or the registration of a utility model or design.



Interfacemodul Profibus/DeviceNet M100869



Identnummer / Part no.		Allgemeintoleranzen General tolerances		Maßstab / Scale 1 : 2		Gewicht / Weigth	
		ISO 2768-m K				Benennung / Title LASER 51 XY <i>measuring device</i>	
	Date	Name					
	Drawn	22.03.2024	mkoester				
	Checked	03.04.2024	mkoester				
	Approved			Zeichnungsnummer / Dwg no. HR01-131900		Revision	Blatt / Sheet
Rev	Modification	Date	Name				4 / 4
				SIKORA Technology To Perfection SIKORA AG Bruchweide 2 28307 Bremen Germany		Rev.: -	Original size DINA3
				File 131900.idw			