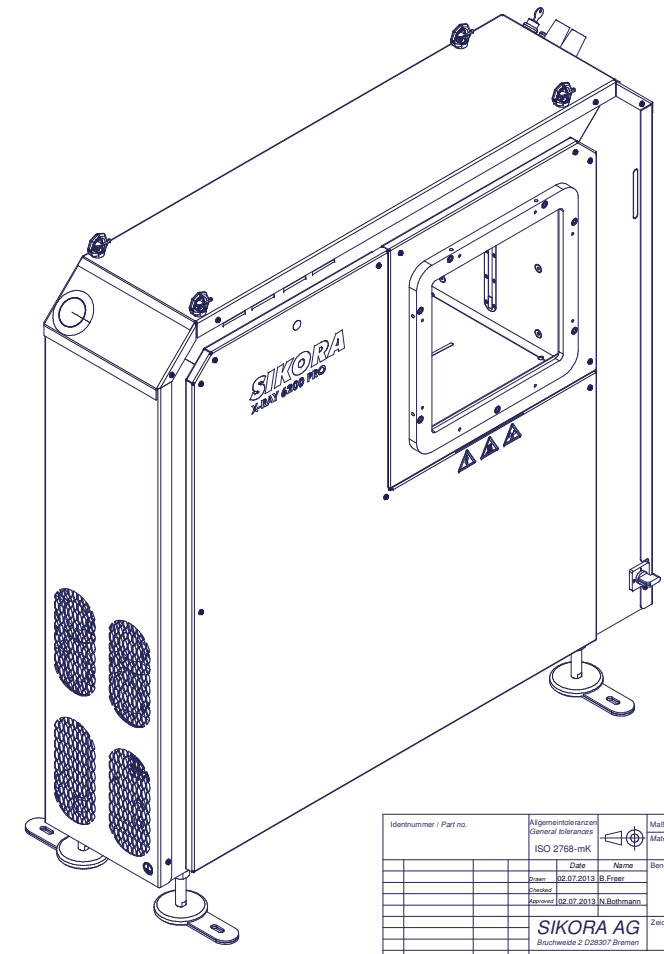
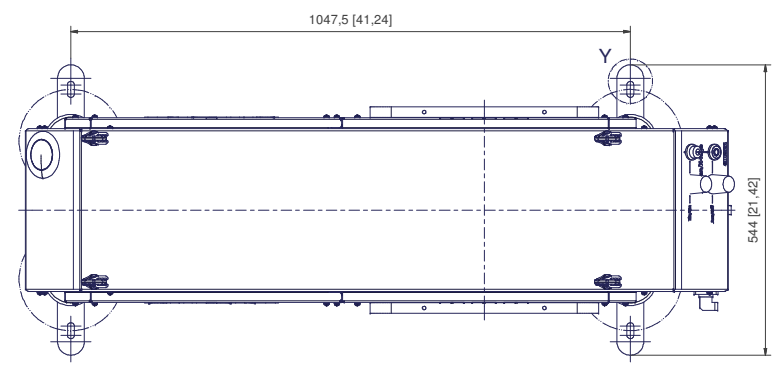
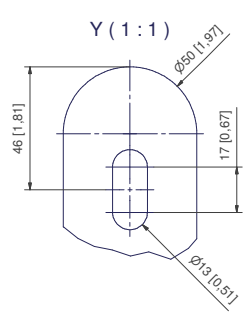
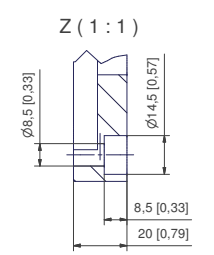
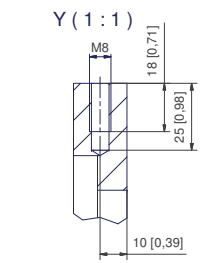
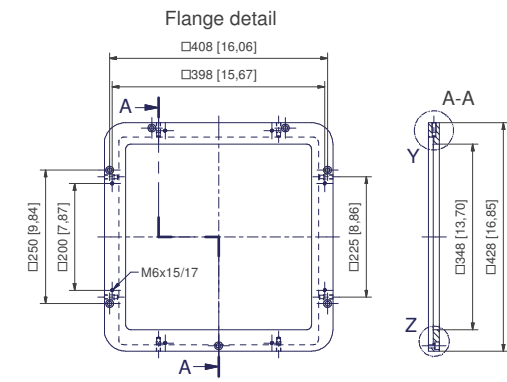
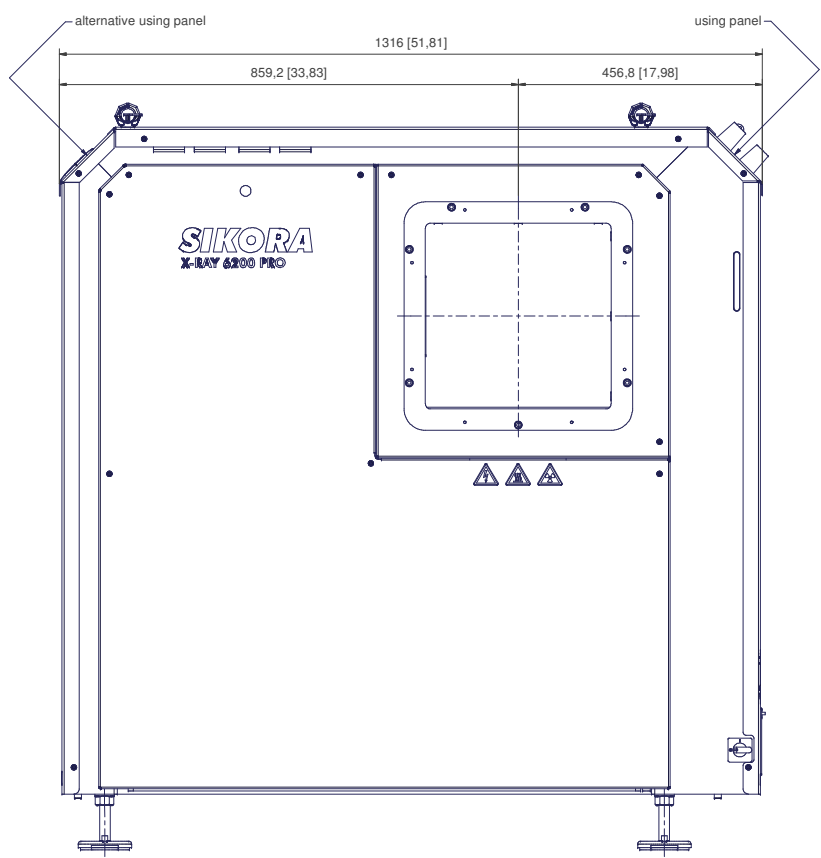
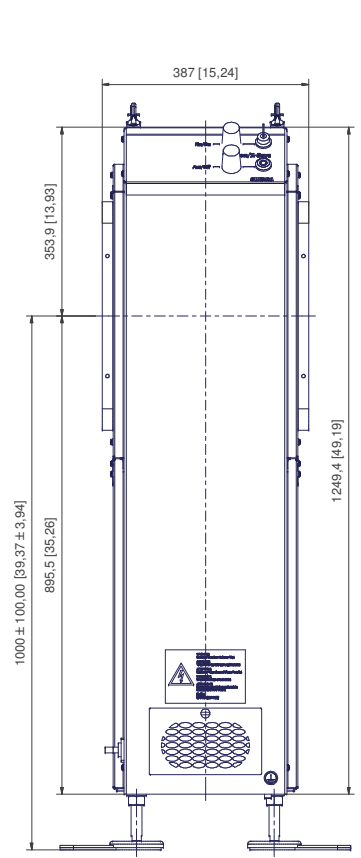


Copying of this document and giving it to others and the use or communication of the contents thereof, are forbidden without express authority. Offenders are liable to the payment of damages. All rights are reserved in the event of the grant of a patent or the registration of a utility model or design.



Identnummer / Part no.		Allgemeintoleranzen General tolerances		Maßstab / Scale 1:5 (1:1)		Gewicht / weight 350 kg	
		ISO 2768-mK		Material		Beschichtung / Coating	
		Date Name		Benennung / Title			
		Drawn 02.07.2013 B. Freer		X-RAY 6200 PRO			
		Checked 02.07.2013 N. Bothmann					
		SIKORA AG		Zeichnungsnummer / Dwg. no.		Blatt / Sheet	
		Bruchstraße 2 D28307 Bremen		GC31		1 / 1	
		File GC31 X-RAY 6200 PRO idw				Original size	
						DIN A1	